

4

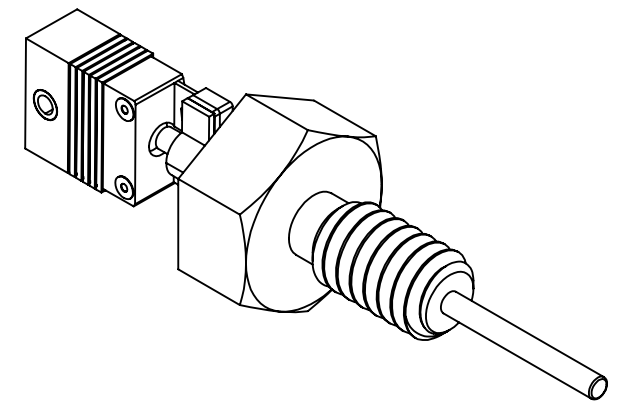
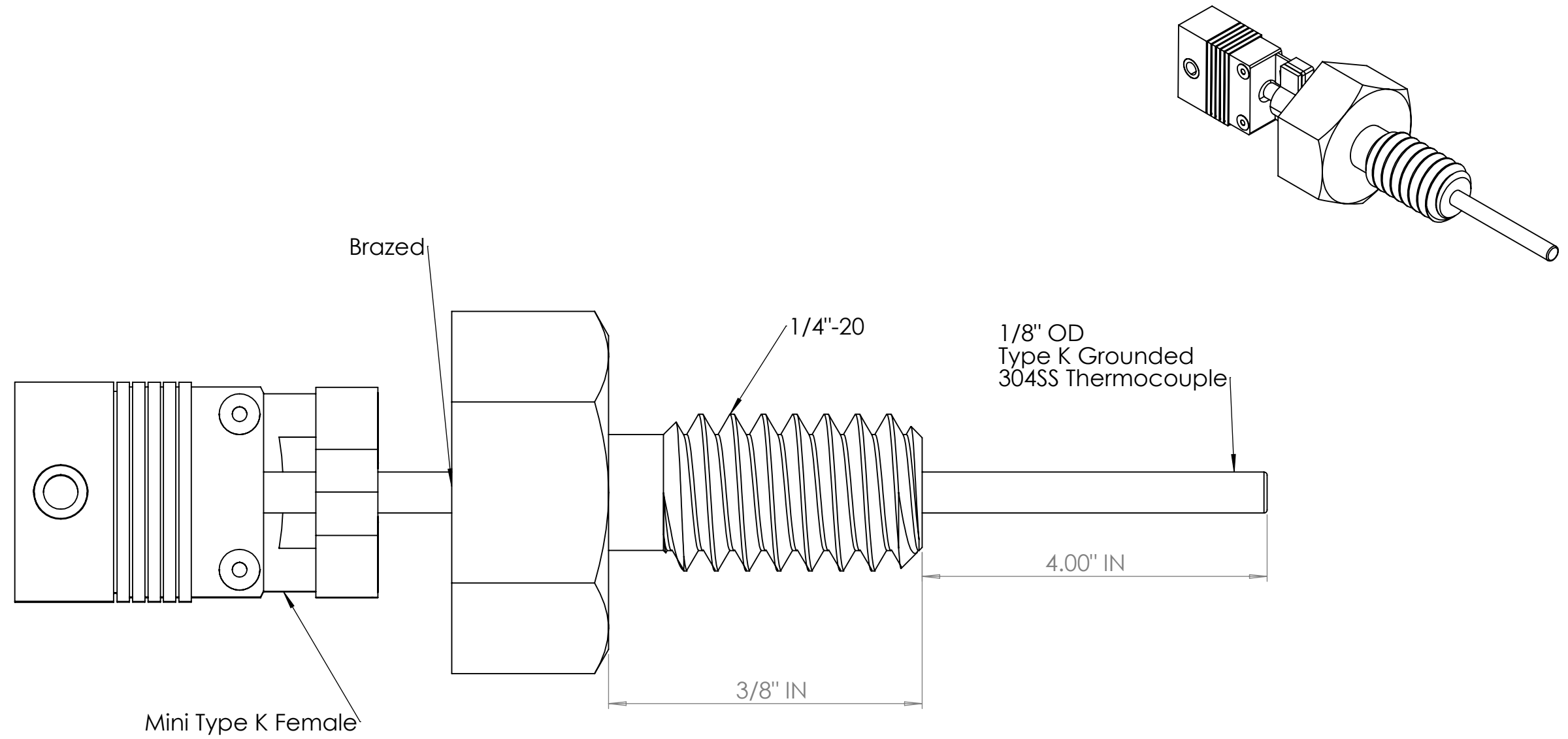
3

2

1

B

B



A

A

Notes:

- 1. Operating Temperatures: -25C to 100C

UNLESS OTHERWISE SPECIFIED:		NAME	DATE
DIMENSIONS ARE IN INCHES		DRAWN	A.M
TOLERANCES:		CHECKED	
FRACTIONAL ±		ENG APPR.	
ANGULAR: MACH ± BEND ±		MFG APPR.	
TWO PLACE DECIMAL ±		Q.A.	
THREE PLACE DECIMAL ±		COMMENTS:	
INTERPRET GEOMETRIC TOLERANCING PER:		THIS DRAWING IS FOR REFERENCE ONLY.	
MATERIAL		FINAL PRODUCT MAY DIFFER.	
FINISH			
DO NOT SCALE DRAWING			

PROPRIETARY AND CONFIDENTIAL
 THE INFORMATION CONTAINED IN THIS DRAWING IS THE SOLE PROPERTY OF BELILOVE CO. ENGINEERS. ANY REPRODUCTION IN PART OR AS A WHOLE WITHOUT THE WRITTEN PERMISSION OF BELILOVE CO. ENGINEERS IS PROHIBITED.



TITLE:
Type K Threaded Hex Feedthrough

SIZE	DWG. NO.	REV
B	BCE10498	1

SCALE: NTS WEIGHT: N/A SHEET 1 OF 1

4

3

2

1