

4

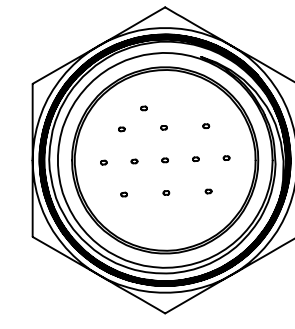
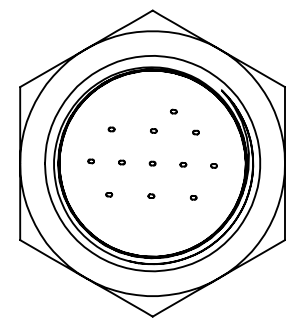
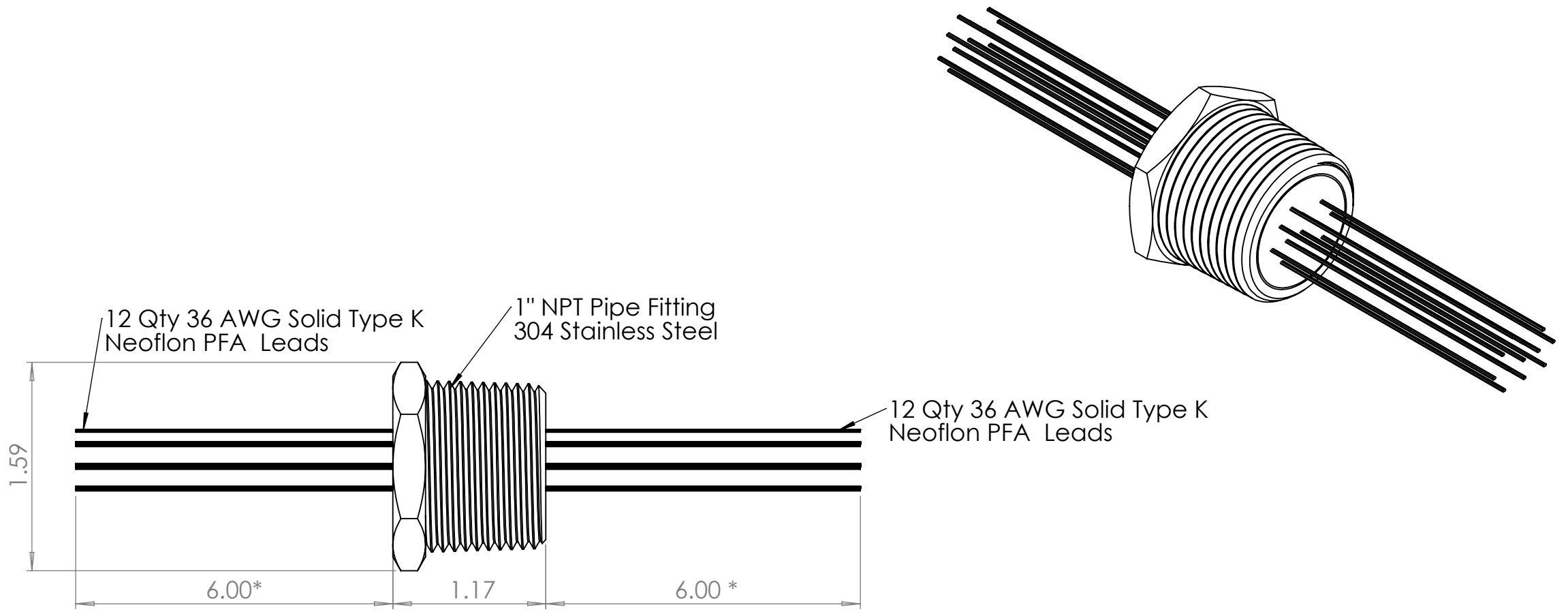
3

2

1

B

B



\*we will provide extra lead length \*

A

A

**NOTES:**

- 1. Operating Temperatures: -20C to 50C
- 2. Vacuum Leak Rating:  $10^{-6}$  ATM-CC/Sec

**PROPRIETARY AND CONFIDENTIAL**  
 THE INFORMATION CONTAINED IN THIS DRAWING IS THE SOLE PROPERTY OF BELILOVE CO. ENGINEERS. ANY REPRODUCTION IN PART OR AS A WHOLE WITHOUT THE WRITTEN PERMISSION OF BELILOVE CO. ENGINEERS IS PROHIBITED.

UNLESS OTHERWISE SPECIFIED:		NAME	DATE	<b>BCE</b>
DIMENSIONS ARE IN INCHES TOLERANCES: FRACTIONAL ± ANGULAR: MACH ± BEND ± TWO PLACE DECIMAL ± THREE PLACE DECIMAL		DRAWN	A.M	
INTERPRET GEOMETRIC TOLERANCING PER:		CHECKED		36 AWG Type K NPT Feedthrough
MATERIAL		ENG APPR.		
FINISH		MFG APPR.		<b>B</b> BCE10608 0
DO NOT SCALE DRAWING		Q.A.		SCALE: NTS WEIGHT: N/A SHEET 1 OF 1
		COMMENTS:		
		THIS DRAWING IS FOR REFERENCE ONLY.		
		FINAL PRODUCT MAY DIFFER.		

4

3

2

1