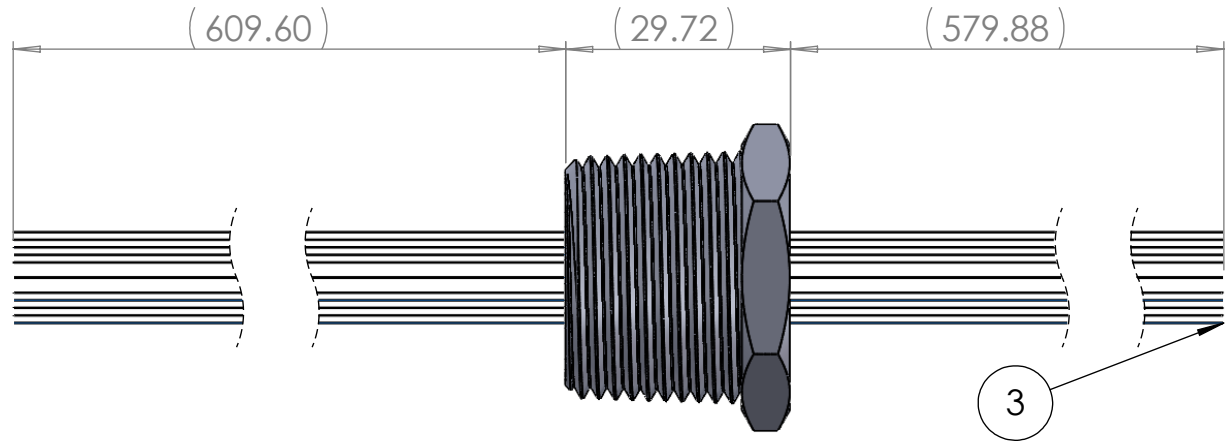
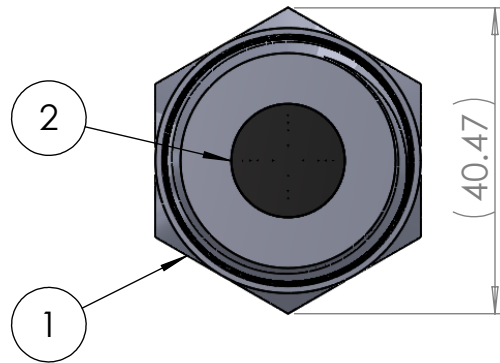


B



B

ITEM NO.	PART NUMBER	DESCRIPTION	QTY.
1	TBA	1" MALE X 3/8" FEMALE NPT THREADED PIPE FITTING, 304 SS	1
2	TBA	BCE PROPRIETARY EPOXY, MEETS NASA ASTM E595 LOW OUTGASSING	1
3	TBA	20 AWG, TEFLON INSULATED, STRANDED LEAD	20

A

**PROPRIETARY AND CONFIDENTIAL**  
THE INFORMATION CONTAINED IN THIS  
DRAWING IS THE SOLE PROPERTY OF  
BCE INC. ANY REPRODUCTION IN PART  
OR AS A WHOLE WITHOUT THE WRITTEN  
PERMISSION OF BCE INC. IS PROHIBITED.

UNLESS OTHERWISE SPECIFIED:

DIMENSIONS ARE IN INCHES  
TOLERANCES:  
FRACTIONAL ±  
ANGULAR: MACH ± BEND ±  
TWO PLACE DECIMAL ± .010  
THREE PLACE DECIMAL ± .005

INTERPRET GEOMETRIC  
TOLERANCING PER:

MATERIAL  
SEE BOM

FINISH  
N/A

DO NOT SCALE DRAWING

DRAWN NAME DATE

F. SYED 9/25/17

CHECKED

ENG APPR.

MFG APPR.

Q.A.

COMMENTS:

TITLE:

20 PIN EPOXY  
VACUUM  
FEEDTHROUGH

SIZE

DWG. NO.

REV

A

BCE10139

1

SCALE: 1:1

WEIGHT: N/A

SHEET 1 OF 1

A

2

1