

4

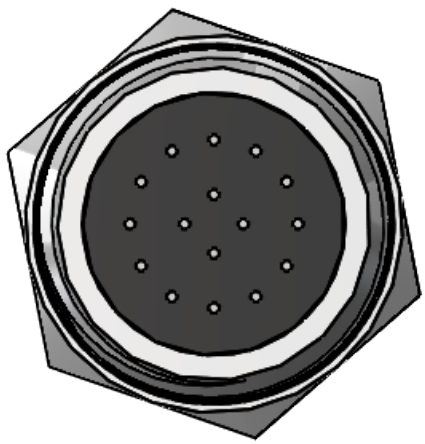
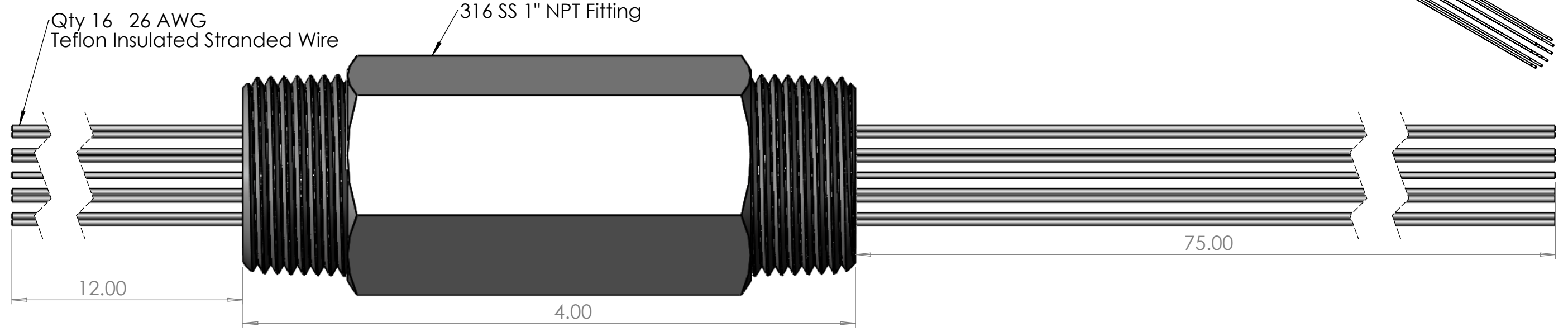
3

2

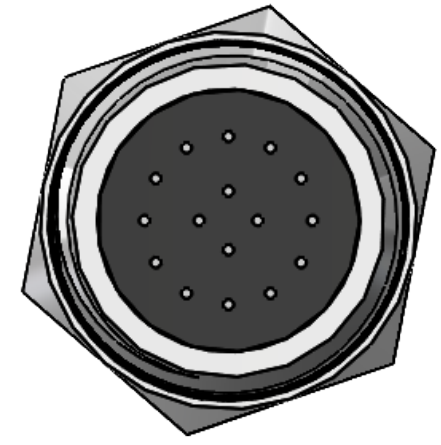
1

B

B



Atmosphere



Vacuum

A

A

NOTES:

- 1. Operating Temperatures: -10C to 30C
- 2. Vacuum Leak Rating: 10^{-7} ATM-CC/Sec
- 3. Pressure: 2500 PSI

| | | | |
|--------------------------------------|--|-------------------------------------|------|
| UNLESS OTHERWISE SPECIFIED: | | NAME | DATE |
| DIMENSIONS ARE IN INCHES | | DRAWN | A.M |
| TOLERANCES: | | CHECKED | |
| FRACTIONAL ± | | ENG APPR. | |
| ANGULAR: MACH ± BEND ± | | MFG APPR. | |
| TWO PLACE DECIMAL ± | | Q.A. | |
| THREE PLACE DECIMAL ± | | COMMENTS: | |
| INTERPRET GEOMETRIC TOLERANCING PER: | | THIS DRAWING IS FOR REFERENCE ONLY. | |
| MATERIAL | | FINAL PRODUCT MAY DIFFER. | |
| FINISH | | | |
| DO NOT SCALE DRAWING | | | |

PROPRIETARY AND CONFIDENTIAL
 THE INFORMATION CONTAINED IN THIS DRAWING IS THE SOLE PROPERTY OF BELILOVE CO. ENGINEERS. ANY REPRODUCTION IN PART OR AS A WHOLE WITHOUT THE WRITTEN PERMISSION OF BELILOVE CO. ENGINEERS IS PROHIBITED.



TITLE:
16 Lead Feedthrough

| | | |
|----------|-----------------|-----|
| SIZE | DWG. NO. | REV |
| B | BCE10660 | - |

SCALE: NTS WEIGHT: N/A SHEET 1 OF 1

4

3

2

1