

4

3

2

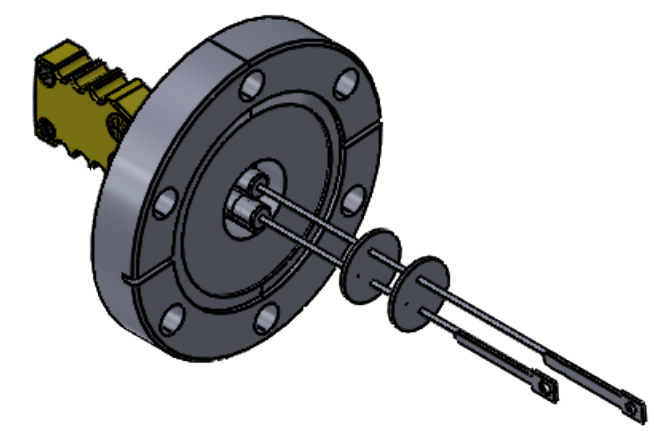
1

B

B

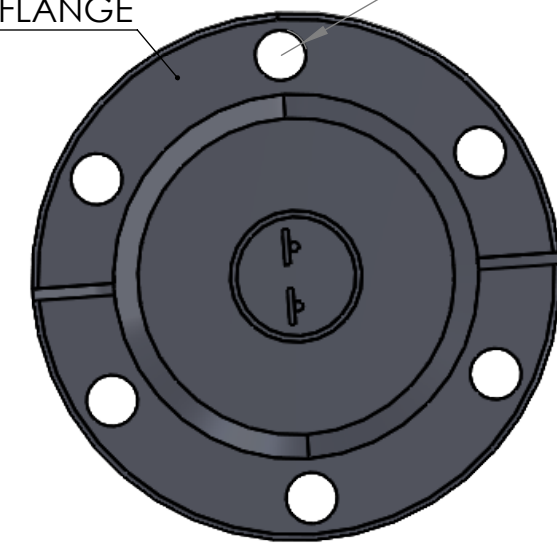
A

A



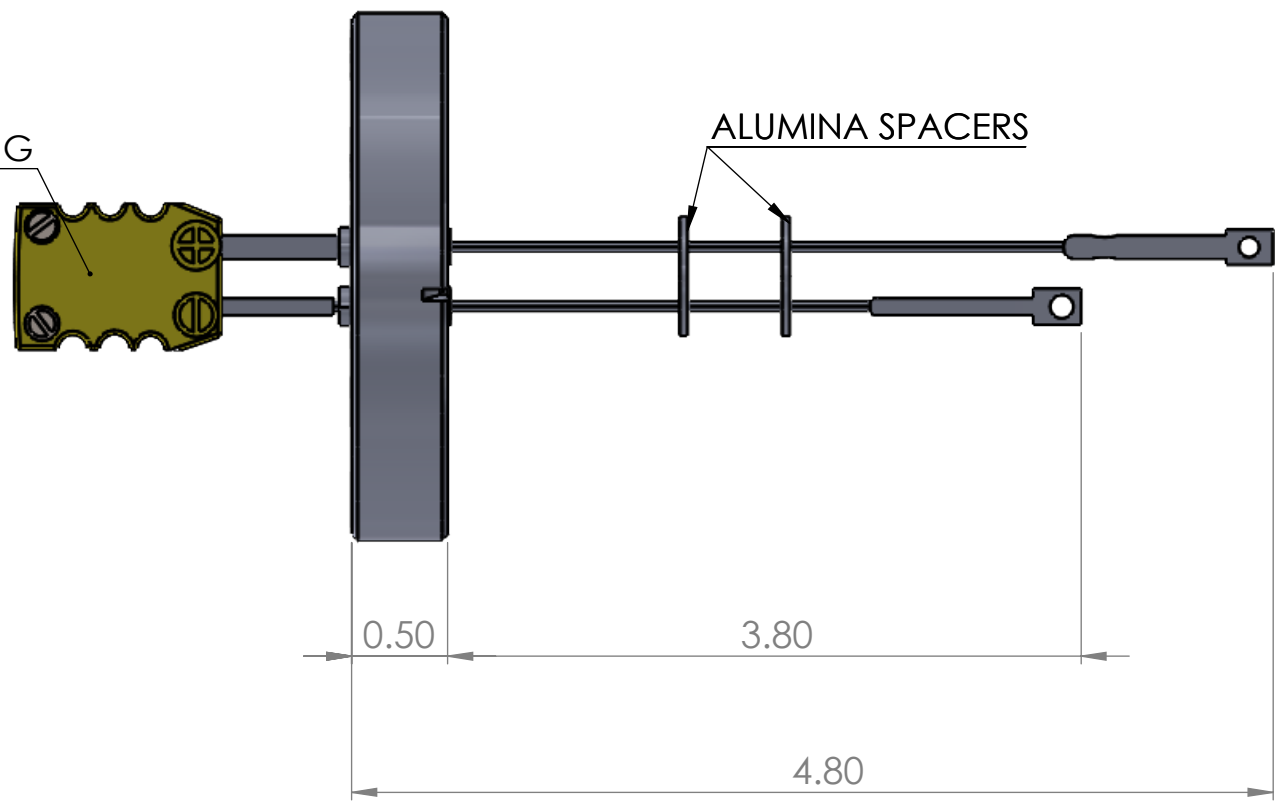
6 X Ø0.265 THRU

304 SS 2.75 CF FLANGE



TYPE K TC MINI PLUG

ALUMINA SPACERS



0.50

3.80

4.80

NOTES

- 1. TEMPERATURE RATING: -100 TO 400 °C
- 2. He LEAK CHECK TO 1 X 10⁻⁹ OR LESS
- 3. ALL TESTS PERFORMED AT ROOM TEMPERATURE (20-26 °C)

UNLESS OTHERWISE SPECIFIED:
 DIMENSIONS ARE IN INCHES
 TOLERANCES:
 FRACTIONAL ±1/32
 ANGULAR: MACH ± 1.0 BEND ±2.0
 TWO PLACE DECIMAL ±0.01
 THREE PLACE DECIMAL ±0.005



TITLE:
2.75 CF FLANGE
TYPE K TC FEEDTHROUGH

PROPRIETARY AND CONFIDENTIAL
 THE INFORMATION CONTAINED IN THIS DRAWING IS THE SOLE PROPERTY OF BELILOVE COMPANY ENGINEERS (BCE). ANY REPRODUCTION IN PART OR AS A WHOLE WITHOUT THE WRITTEN PERMISSION OF BELILOVE COMPANY ENGINEERS (BCE) IS PROHIBITED.

INTERPRET GEOMETRIC TOLERANCING PER:
 MATERIAL SEE DWG
 FINISH N/A
 DO NOT SCALE DRAWING

SIZE	DWG. NO.	REV
B	BCE10619	1
SCALE:NTS		SHEET 1 OF 1

4

3

2

1