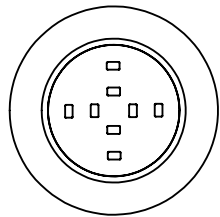
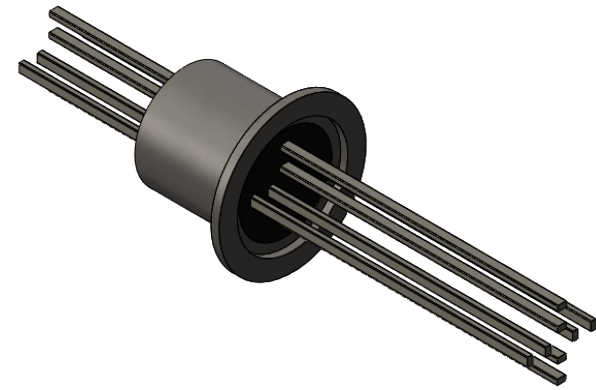


2

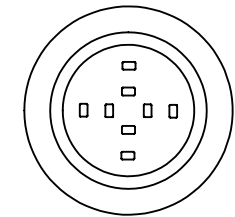
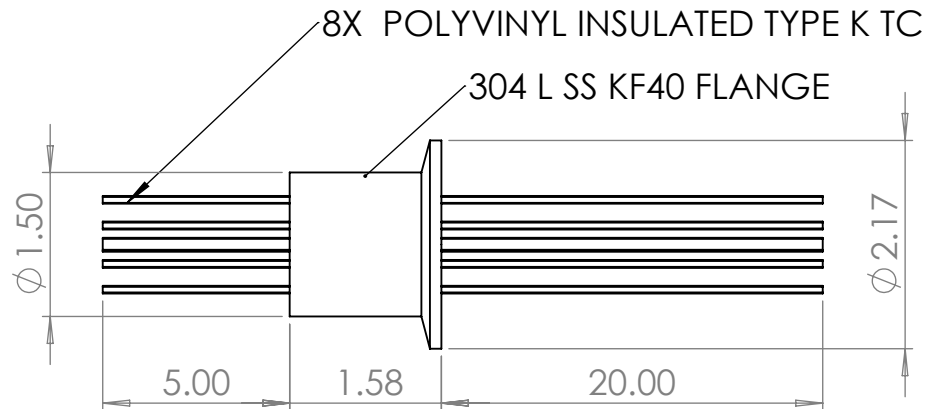
1

B

B



ATMOSPHERE SIDE



VACUUM SIDE

A

A

NOTES

1. THIS DRAWING IS FOR REF. ONLY
2. VACUUM RATING: 10^{-3}
3. OPERATING TEMP -25 TO 60C
4. LEAD LENGTH IS DEPENDENT ON TCs PROVIDED BY PMIC WITH ~ 2 IN TOLERANCE

UNLESS OTHERWISE SPECIFIED:

DIMENSIONS ARE IN INCHES
 TOLERANCES:
 FRACTIONAL \pm
 ANGULAR: MACH \pm BEND \pm
 TWO PLACE DECIMAL $\pm .010$
 THREE PLACE DECIMAL $\pm .005$

INTERPRET GEOMETRIC TOLERANCING PER:

MATERIAL SEE BOM

FINISH N/A

DO NOT SCALE DRAWING



TITLE:

PMIC TC
FEEDTHROUGH

SIZE
A

DWG. NO.
BCEXXXX

REV
1

SCALE:

WEIGHT:

SHEET 1 OF 1

PROPRIETARY AND CONFIDENTIAL
 THE INFORMATION CONTAINED IN THIS DRAWING IS THE SOLE PROPERTY OF BCE INC. ANY REPRODUCTION IN PART OR AS A WHOLE WITHOUT THE WRITTEN PERMISSION OF BCE INC. IS PROHIBITED.

2

1