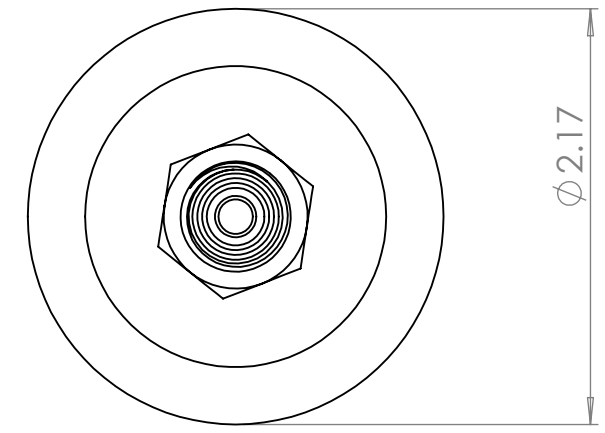
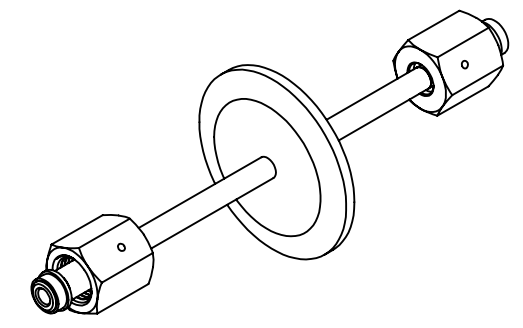
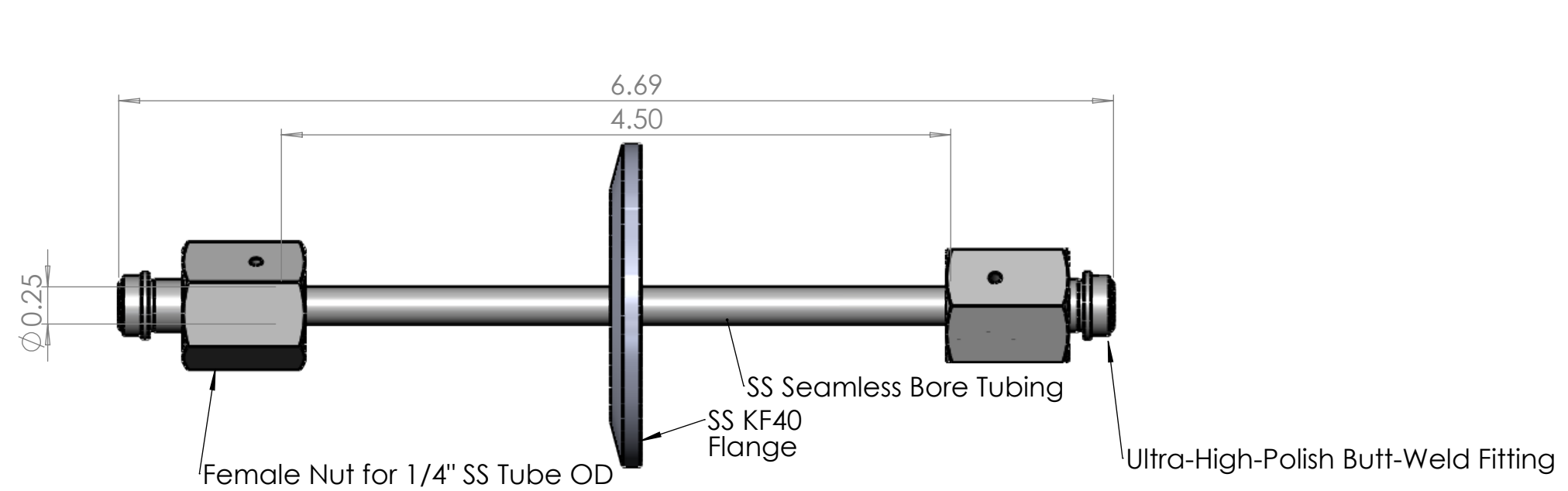


4

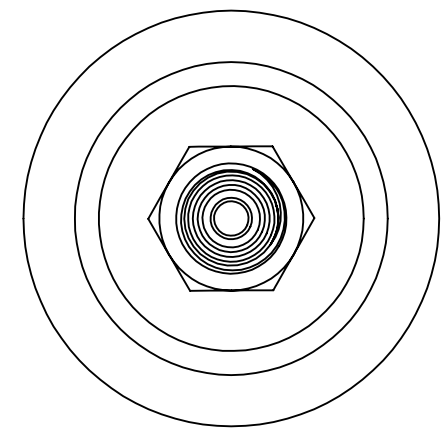
3

2

1



Atmosphere Side



Vacuum Side

**NOTES:**

1. Operating Temperatures: -25C to 30C

3. Vacuum Leak Rating:  $10^{-6}$  ATM-CC/Sec

**PROPRIETARY AND CONFIDENTIAL**  
 THE INFORMATION CONTAINED IN THIS DRAWING IS THE SOLE PROPERTY OF BELILOVE CO. ENGINEERS. ANY REPRODUCTION IN PART OR AS A WHOLE WITHOUT THE WRITTEN PERMISSION OF BELILOVE CO. ENGINEERS IS PROHIBITED.

UNLESS OTHERWISE SPECIFIED:		NAME	DATE	<b>BCE</b>
DIMENSIONS ARE IN INCHES		DRAWN	A.M	
TOLERANCES:		CHECKED		TITLE: <b>KF 40 Gas Line Feedthrough</b>
FRACTIONAL $\pm$		ENG APPR.		
ANGULAR: MACH $\pm$ BEND $\pm$		MFG APPR.		
TWO PLACE DECIMAL $\pm$		Q.A.		SIZE DWG. NO. REV <b>B BCE10518 1</b>
THREE PLACE DECIMAL		COMMENTS:	THIS DRAWING IS FOR REFERENCE ONLY.	
INTERPRET GEOMETRIC TOLERANCING PER:		FINAL PRODUCT MAY DIFFER.		SCALE: NTS WEIGHT: N/A SHEET 1 OF 1
MATERIAL	SEE DWG			
FINISH	SEE DWG			
DO NOT SCALE DRAWING				

4

3

2

1

B

B

A

A