

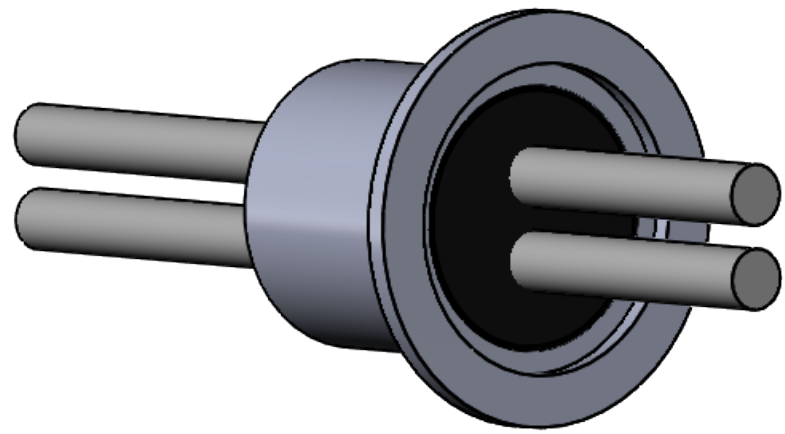
4

3

2

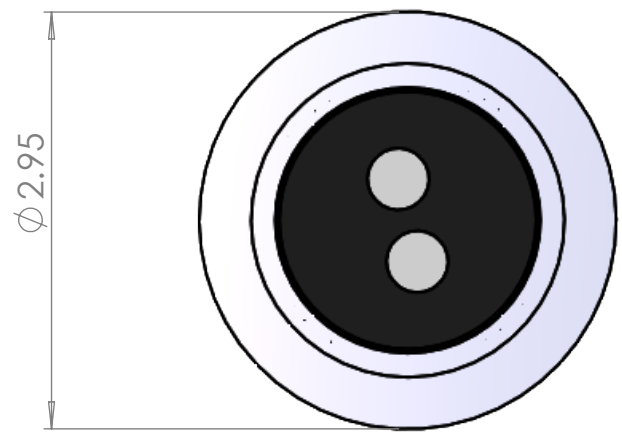
1

ISOMETRIC VIEW



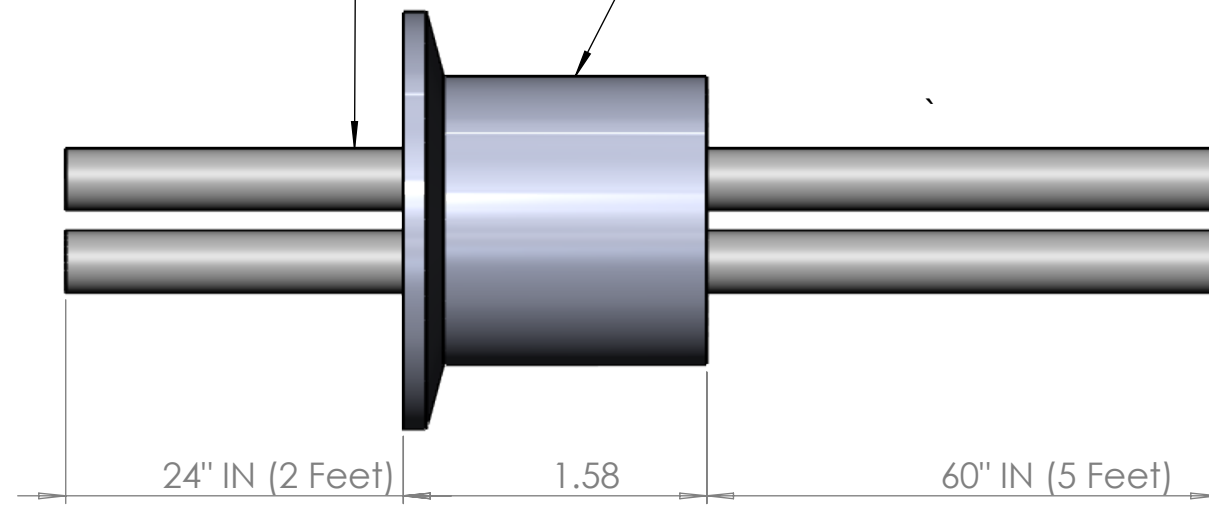
(Qty. 2) 4 AWG Teflon Insulated Wire

KF 50 304L SS



Ø 2.95

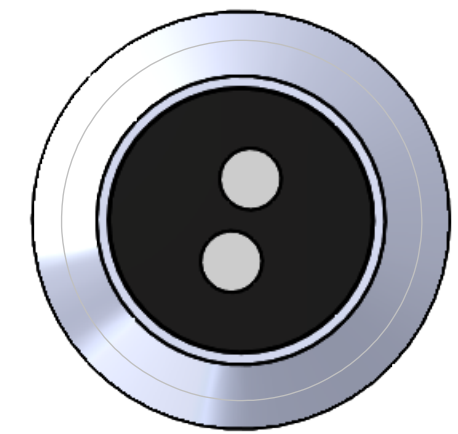
Vacuum Side



24" IN (2 Feet)

1.58

60" IN (5 Feet)



Atmosphere Side

NOTES

1. Operating Temperature: -10°C to 60°C
2. Bake Out/ Max Temp Must Not Exceed 75 C for 2 Hours
3. Vacuum Leak Rate: 10^{-6} ATM.CC/Second
4. 150 Amp 30 Volt
5. Label For Continuity
6. Wire Availability will Determine Solid/Stranded*

PROPRIETARY AND CONFIDENTIAL
 THE INFORMATION CONTAINED IN THIS DRAWING IS THE SOLE PROPERTY OF BELILOVE CO. ENGINEERS. ANY REPRODUCTION IN PART OR AS A WHOLE WITHOUT THE WRITTEN PERMISSION OF BELILOVE CO. ENGINEERS IS PROHIBITED.

UNLESS OTHERWISE SPECIFIED:	
DIMENSIONS ARE IN INCHES	
TOLERANCES:	
FRACTIONAL ±	
ANGULAR: MACH ±	BEND ±
TWO PLACE DECIMAL ±	
THREE PLACE DECIMAL	
INTERPRET GEOMETRIC TOLERANCING PER:	
MATERIAL	SEE DWG
FINISH	SEE DWG
DO NOT SCALE DRAWING	

NAME	DATE
DRAWN	A.M
CHECKED	
ENG APPR.	
MFG APPR.	
Q.A.	
COMMENTS:	
THIS DRAWING IS FOR REFERENCE ONLY. FINAL PRODUCT MAY DIFFER.	

TITLE: SApp 3		
SIZE	DWG. NO.	REV
B	BCE10784	A
SCALE: NTS	WEIGHT: N/A	SHEET 1 OF 1

4

3

2

1

B

B

A

A