

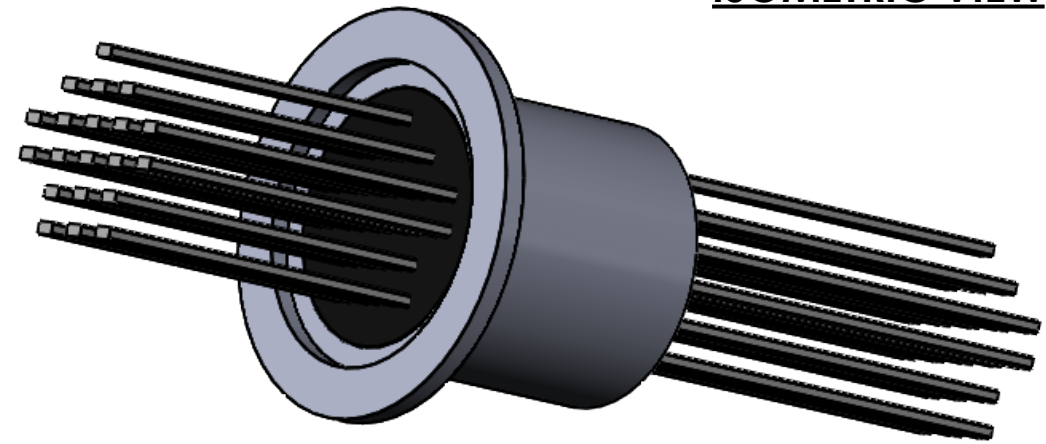
4

3

2

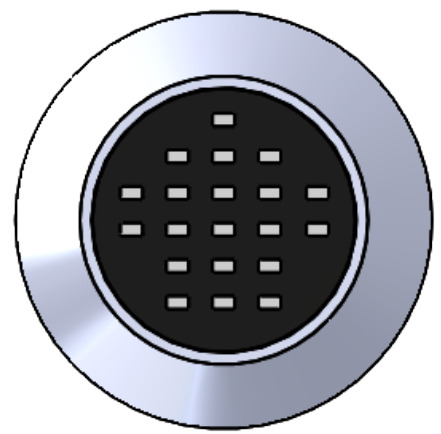
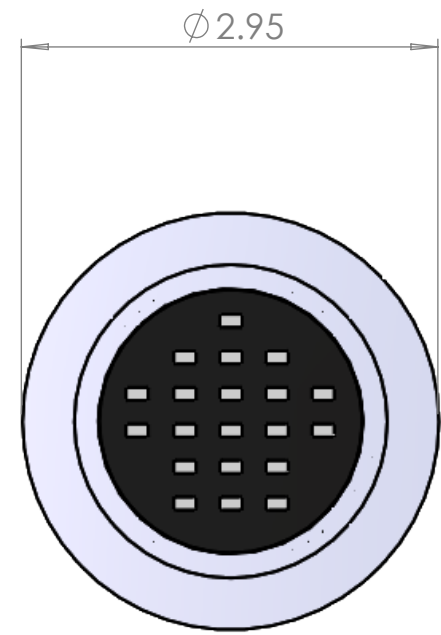
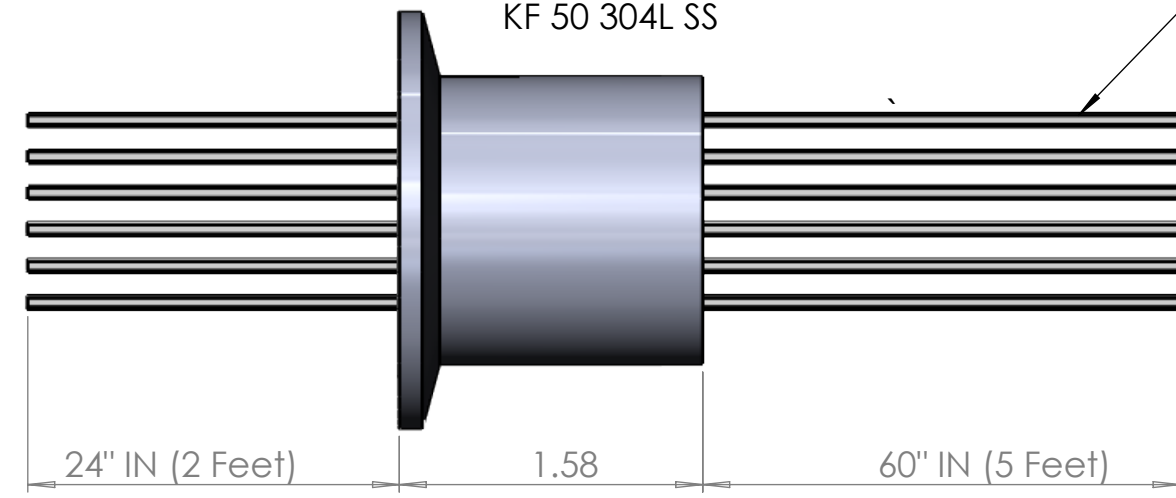
1

ISOMETRIC VIEW



(Qty. 20) Solid 20 AWG Teflon Insulated Type K T/C Pairs

KF 50 304L SS



NOTES

- 1. Operating Temperature: -10°C to 60°C
- 2. Bake Out/ Max Temp Must Not Exceed 75C for 2 Hours
- 3. Vacuum Leak Rate: 10⁻⁶ ATM.CC/Second
- 4. Label For Continuity

PROPRIETARY AND CONFIDENTIAL
 THE INFORMATION CONTAINED IN THIS DRAWING IS THE SOLE PROPERTY OF BELILOVE CO. ENGINEERS. ANY REPRODUCTION IN PART OR AS A WHOLE WITHOUT THE WRITTEN PERMISSION OF BELILOVE CO. ENGINEERS IS PROHIBITED.

UNLESS OTHERWISE SPECIFIED:

DIMENSIONS ARE IN INCHES
 TOLERANCES:
 FRACTIONAL ±
 ANGULAR: MACH ± BEND ±
 TWO PLACE DECIMAL ±
 THREE PLACE DECIMAL ±

INTERPRET GEOMETRIC TOLERANCING PER:

MATERIAL SEE DWG

FINISH SEE DWG

DO NOT SCALE DRAWING

	NAME	DATE
DRAWN	A.M	
CHECKED		
ENG APPR.		
MFG APPR.		
Q.A.		
COMMENTS:	THIS DRAWING IS FOR REFERENCE ONLY. FINAL PRODUCT MAY DIFFER.	

BCE

TITLE: **SApp 2**

SIZE B	DWG. NO. BCE10783	REV A
SCALE: NTS	WEIGHT: N/A	SHEET 1 OF 1

4

3

2

1

B

B

A

A