

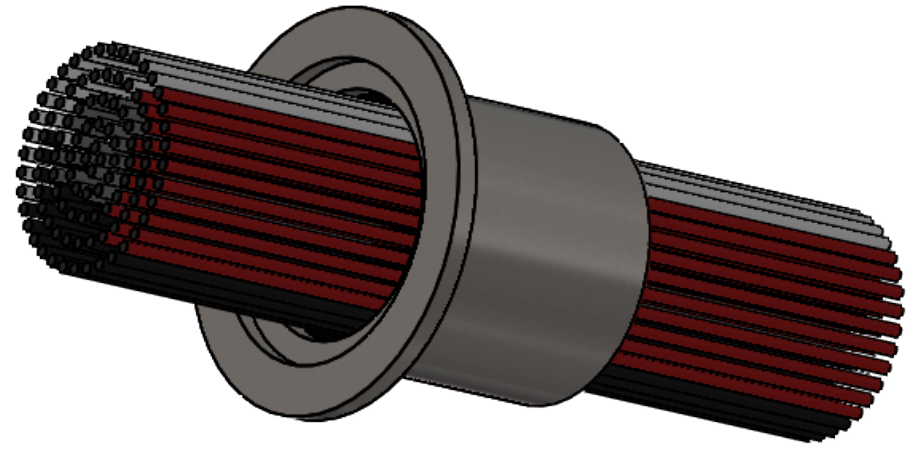
4

3

2

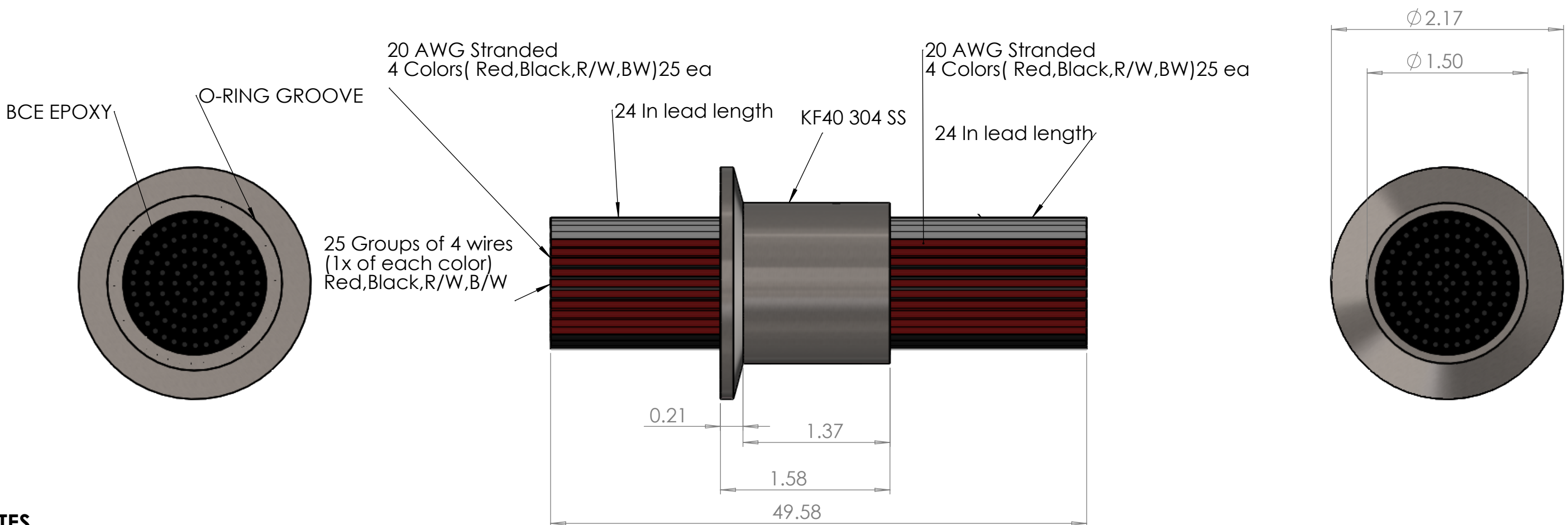
1

ISOMETRIC VIEW



B

B



A

A

NOTES

1. Continuous Operating Temperature: -55°C to 175°

| | | | |
|--------------------------------------|---------|-------------------------------------|-------------|
| UNLESS OTHERWISE SPECIFIED: | | NAME | DATE |
| DIMENSIONS ARE IN INCHES | | DRAWN | A.M 7/17/18 |
| TOLERANCES: | | CHECKED | |
| FRACTIONAL ± | | ENG APPR. | |
| ANGULAR: MACH ± BEND ± | | MFG APPR. | |
| TWO PLACE DECIMAL ± | | Q.A. | |
| THREE PLACE DECIMAL ± | | COMMENTS: | |
| INTERPRET GEOMETRIC TOLERANCING PER: | | THIS DRAWING IS FOR REFERENCE ONLY. | |
| MATERIAL | SEE DWG | FINAL PRODUCT MAY DIFFER. | |
| FINISH | SEE DWG | | |
| DO NOT SCALE DRAWING | | | |

PROPRIETARY AND CONFIDENTIAL
 THE INFORMATION CONTAINED IN THIS DRAWING IS THE SOLE PROPERTY OF BELILOVE CO. ENGINEERS. ANY REPRODUCTION IN PART OR AS A WHOLE WITHOUT THE WRITTEN PERMISSION OF BELILOVE CO. ENGINEERS IS PROHIBITED.



| | | |
|----------------|-----------------|--------------|
| TITLE: | | |
| Amp's FEEDTHRU | | |
| SIZE | DWG. NO. | REV |
| B | BCE10381 | A |
| SCALE: NTS | WEIGHT: N/A | SHEET 1 OF 1 |

4

3

2

1