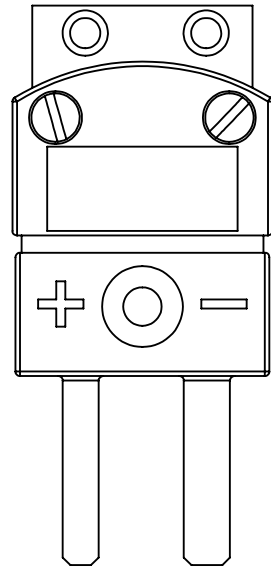
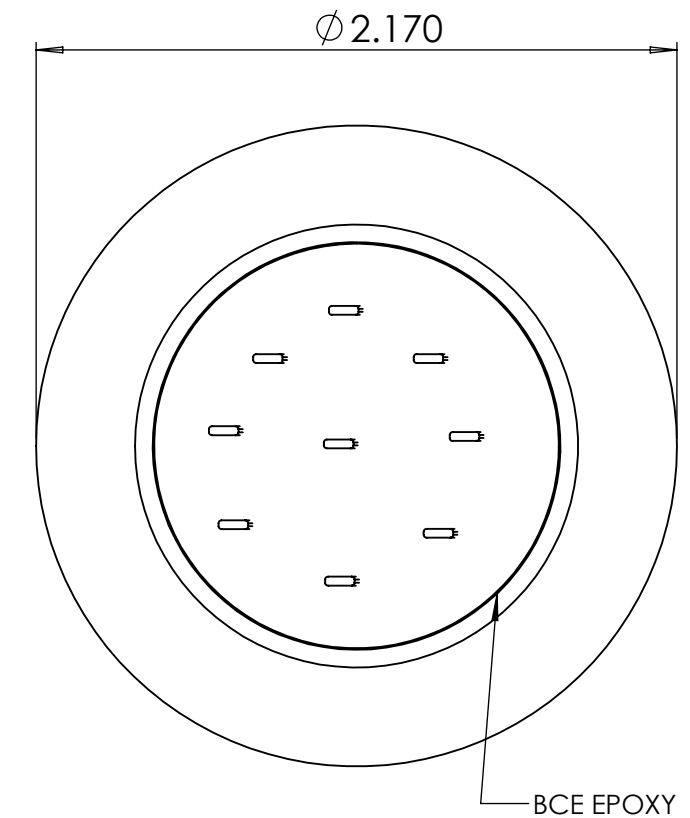
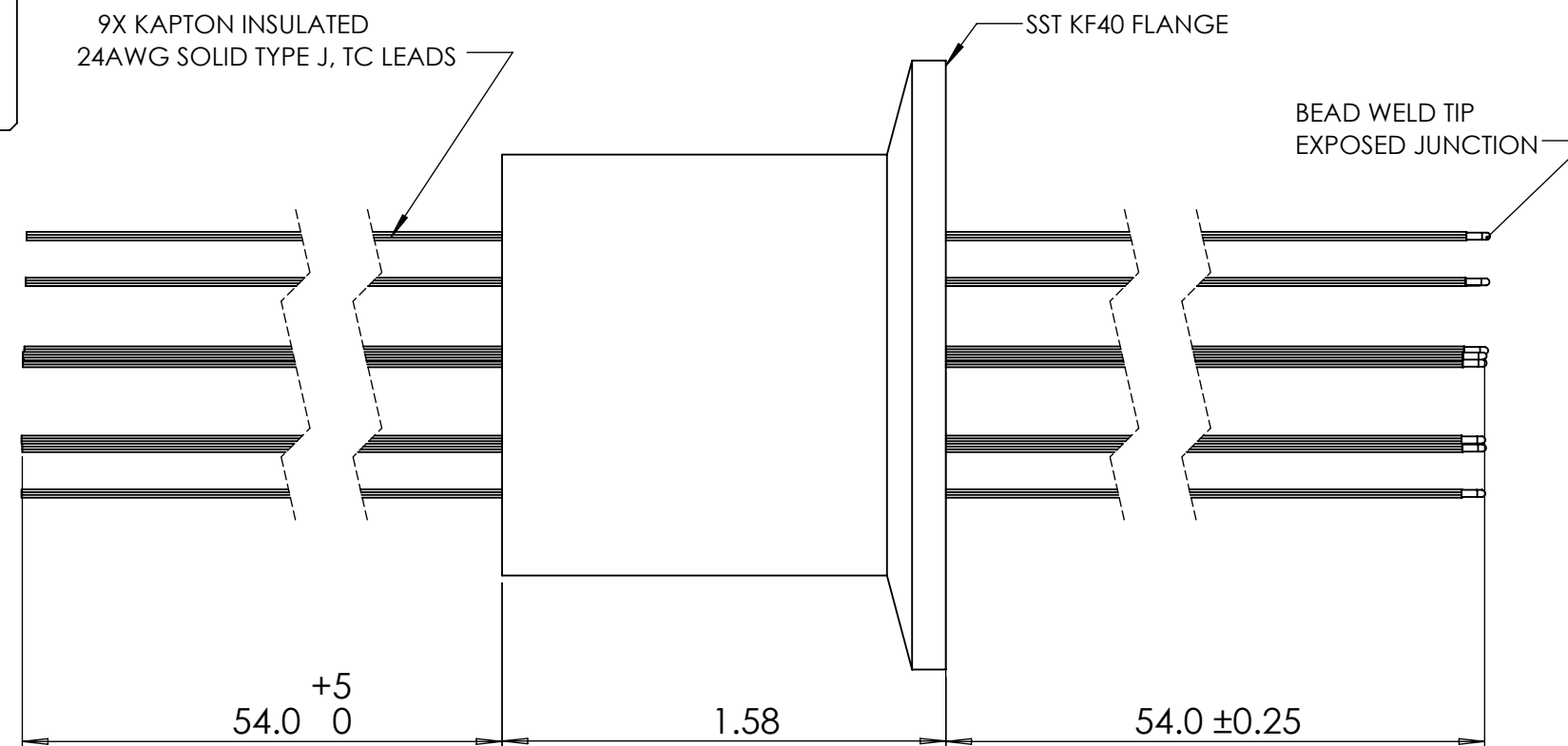
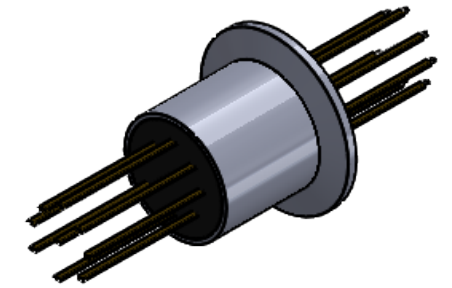


**LEADS TERMINATED WITH MALE MINI CONNECTORS  
\*SHOWN HERE\***



APPROVAL SIGNATURE & DATE:

X \_\_\_\_\_ / \_\_\_\_\_



NOTES:

- VACUUM LEAK RATING:  $10^{-7}$  ATM-CC/SEC
- TEMPERATURE RANGE:  
FEEDTHROUGH BODY/EPOXY SEAL: -55C TO 70C  
KAPTON LEADS INSIDE VACUUM: -55 TO 170C
- LEADS TERMINATED WITH MINI MALE TYPE J CONNECTORS

<p>The information given herein is based on data believed to be accurate, but BCE makes no expressed or implied warranties as to its accuracy and assumes no liability arising out of its use by others. This information does not constitute a license to use or infringe on any patents</p> <p><b>PROPRIETARY AND CONFIDENTIAL</b></p> <p>THE INFORMATION CONTAINED IN THIS DRAWING IS THE SOLE PROPERTY OF BELILOVE CO. ENGINEERS. ANY REPRODUCTION IN PART OR AS A WHOLE WITHOUT THE WRITTEN PERMISSION OF BELILOVE CO. ENGINEERS IS PROHIBITED.</p>	<p>UNLESS OTHERWISE SPECIFIED:</p> <p>DIMENSIONS ARE IN INCHES</p> <p>TOLERANCES:</p> <p>FRACTIONAL ±</p> <p>ANGULAR: MACH ± BEND ±</p> <p>TWO PLACE DECIMAL ± .010</p> <p>THREE PLACE DECIMAL ± .005</p>	<p>PART. NO.</p> <p><b>BCE</b></p>		
	<p>INTERPRET GEOMETRIC TOLERANCING PER:</p>	<p>TITLE:</p> <p><b>9X TYPE J TC KF40 FEEDTHROUGH</b></p>		
	<p>MATERIAL</p> <p>SEE DWG</p>	<p>SIZE</p> <p><b>B</b></p>	<p>DWG. NO.</p> <p><b>BCE10896</b></p>	<p>REV</p> <p><b>1</b></p>
	<p>FINISH</p> <p>N/A</p>	<p>SCALE: NTS WEIGHT: N/A SHEET 1 OF 1</p>		
<p>DO NOT SCALE DRAWING</p>				