

4

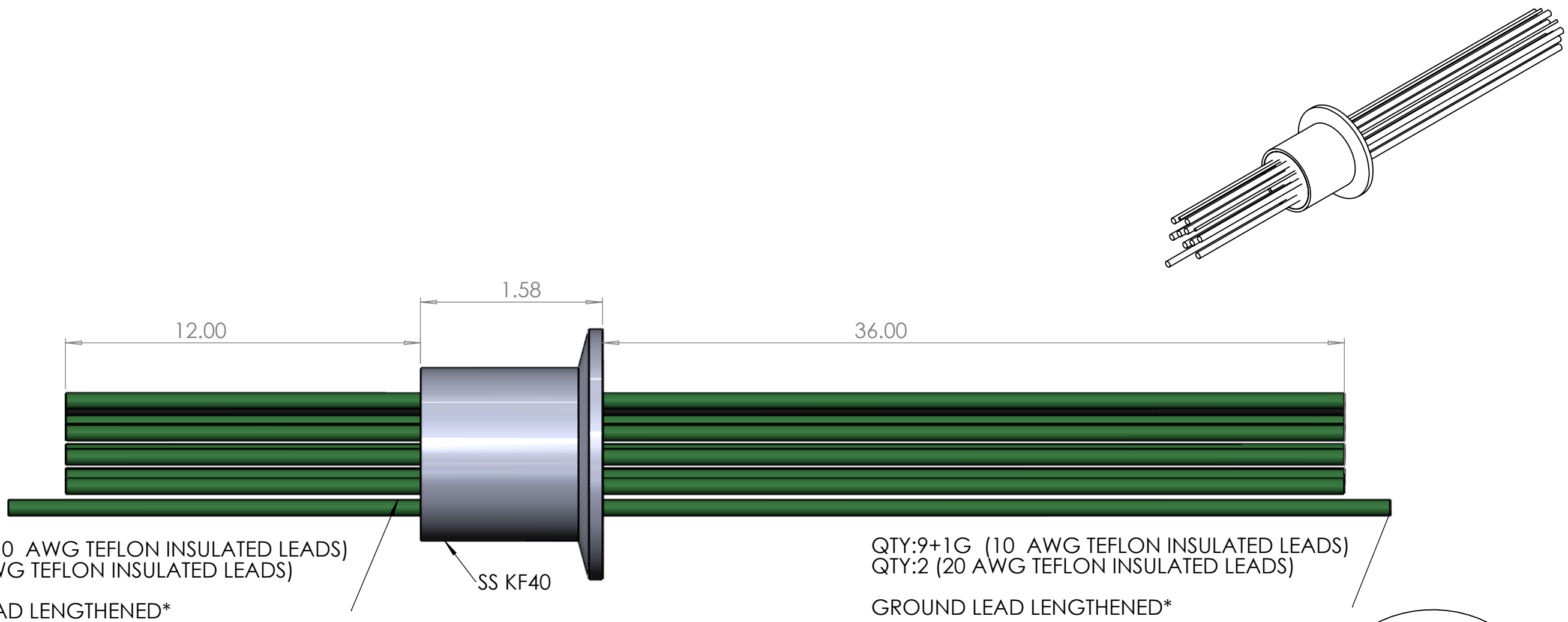
3

2

1

B

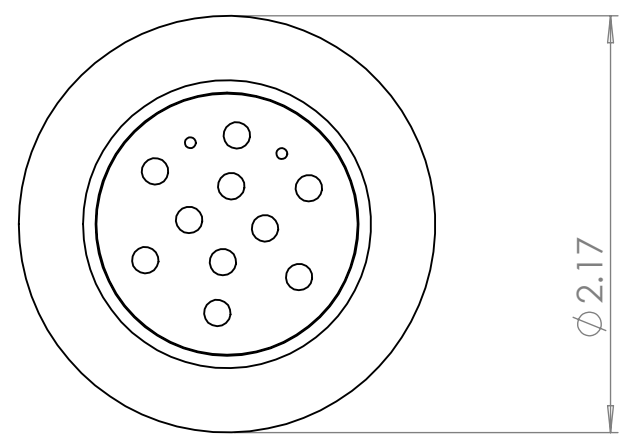
B



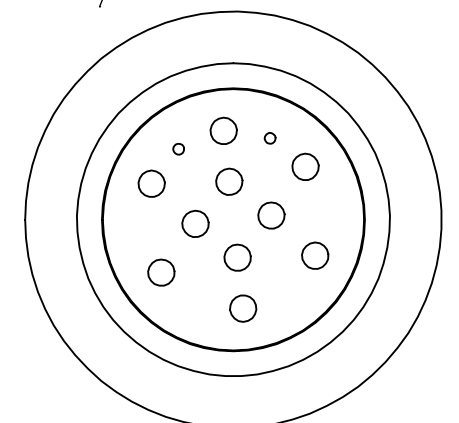
QTY:9+1G (10 AWG TEFLON INSULATED LEADS)
 QTY:2 (20 AWG TEFLON INSULATED LEADS)
 GROUND LEAD LENGTHENED*

SS KF40

QTY:9+1G (10 AWG TEFLON INSULATED LEADS)
 QTY:2 (20 AWG TEFLON INSULATED LEADS)
 GROUND LEAD LENGTHENED*



Atmosphere Side



Vacuum Side

A

A

Notes:

1. Operating Temperatures: -20C to 50C
2. Voltage: 240V Current: 25A
3. Vacuum Leak Rating: 10^{-7} ATM-CC/Sec

PROPRIETARY AND CONFIDENTIAL
 THE INFORMATION CONTAINED IN THIS DRAWING IS THE SOLE PROPERTY OF BELILOVE CO. ENGINEERS. ANY REPRODUCTION IN PART OR AS A WHOLE WITHOUT THE WRITTEN PERMISSION OF BELILOVE CO. ENGINEERS IS PROHIBITED.

UNLESS OTHERWISE SPECIFIED:		NAME	DATE
DIMENSIONS ARE IN INCHES		DRAWN	A.M
TOLERANCES:		CHECKED	
FRACTIONAL ±		ENG APPR.	
ANGULAR: MACH ± BEND ±		MFG APPR.	
TWO PLACE DECIMAL ±		Q.A.	
THREE PLACE DECIMAL ±		COMMENTS:	
INTERPRET GEOMETRIC TOLERANCING PER:	MATERIAL	THIS DRAWING IS FOR REFERENCE ONLY.	
	SEE DWG	FINAL PRODUCT MAY DIFFER.	
FINISH	SEE DWG		
DO NOT SCALE DRAWING			



TITLE:		
9+1G & 2 SENSOR FEEDTHROUGH		
SIZE	DWG. NO.	REV
B	BCE10678	-
SCALE: NTS	WEIGHT: N/A	SHEET 1 OF 1

4

3

2

1