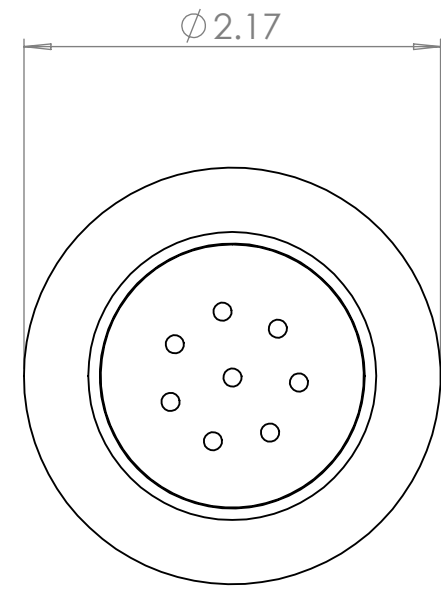
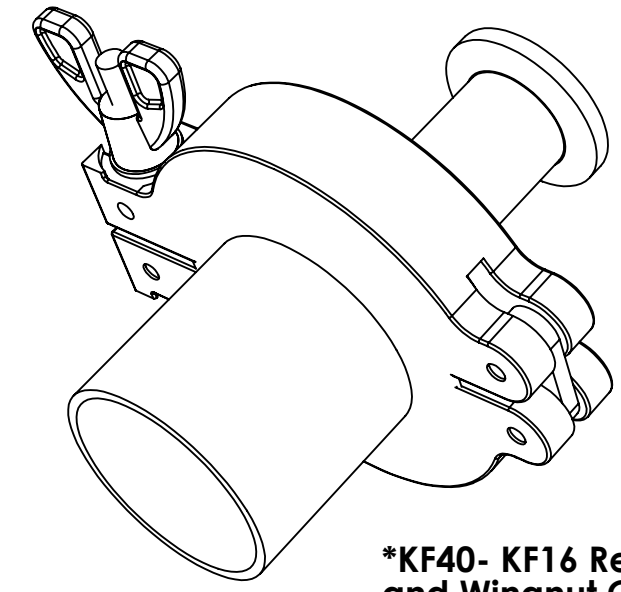
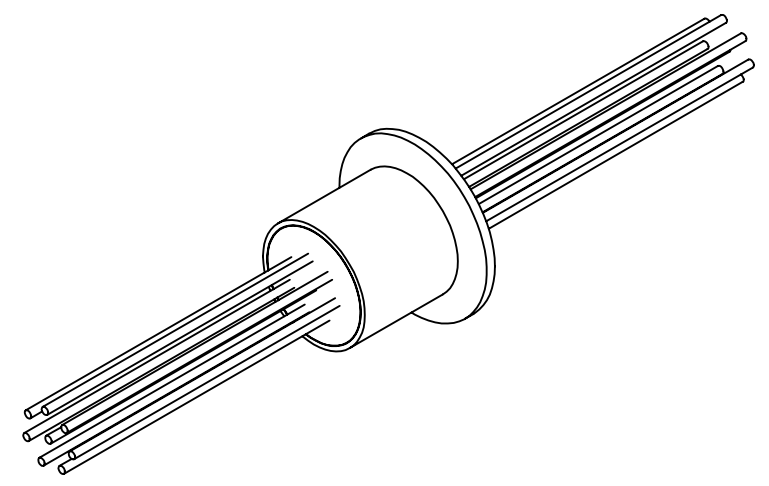
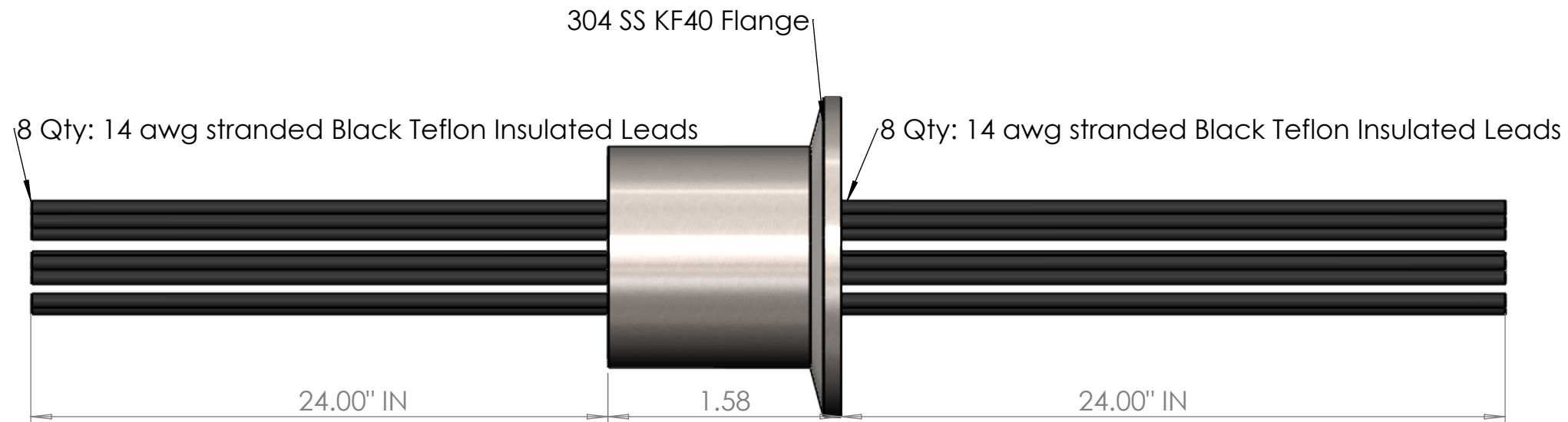


4

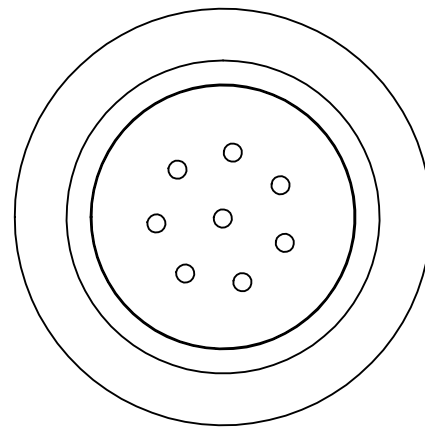
3

2

1



Atmosphere Side



Vacuum Side

Notes:

1. Operating Temperatures: -20C to 50C
2. Voltage: 240V Current: 6A
3. Vacuum Leak Rating: 10^{-2} ATM-CC/Sec
4. Leads will meet or exceed 24 in

UNLESS OTHERWISE SPECIFIED:		NAME	DATE
DIMENSIONS ARE IN INCHES		DRAWN	A.M
TOLERANCES:		CHECKED	
FRACTIONAL ±		ENG APPR.	
ANGULAR: MACH ±		MFG APPR.	
BEND ±		Q.A.	
TWO PLACE DECIMAL ±		COMMENTS:	
THREE PLACE DECIMAL ±		THIS DRAWING IS FOR REFERENCE ONLY.	
INTERPRET GEOMETRIC TOLERANCING PER:	MATERIAL	FINAL PRODUCT MAY DIFFER.	
	SEE DWG		
FINISH	SEE DWG		
DO NOT SCALE DRAWING			

PROPRIETARY AND CONFIDENTIAL
 THE INFORMATION CONTAINED IN THIS DRAWING IS THE SOLE PROPERTY OF BELILOVE CO. ENGINEERS. ANY REPRODUCTION IN PART OR AS A WHOLE WITHOUT THE WRITTEN PERMISSION OF BELILOVE CO. ENGINEERS IS PROHIBITED.



TITLE:		
8 Wire 240 V Feedthrough		
SIZE	DWG. NO.	REV
B	BCE10501	1
SCALE: NTS	WEIGHT: N/A	SHEET 1 OF 1

4

3

2

1

B

B

A

A