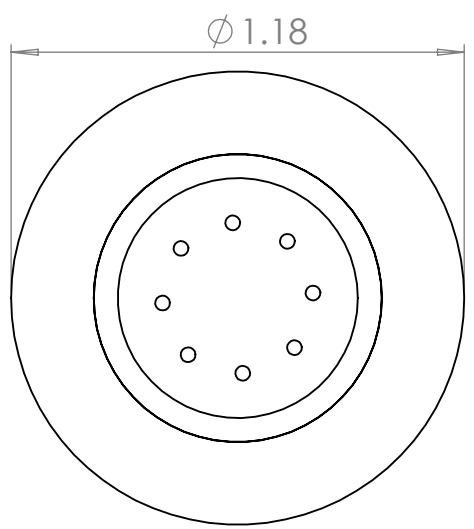
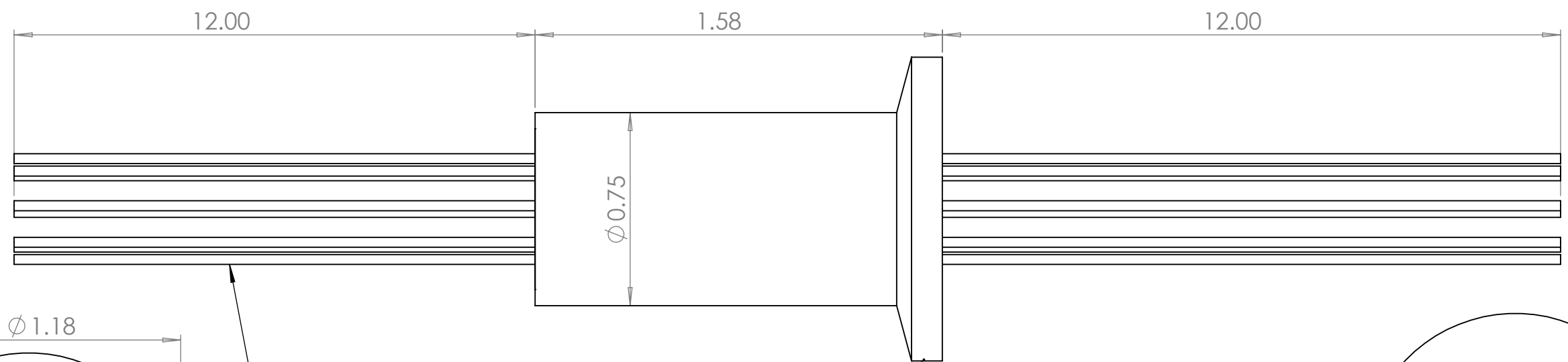
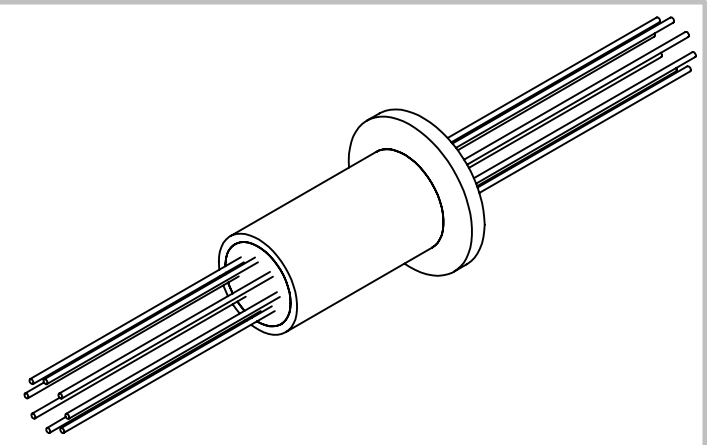


4

3

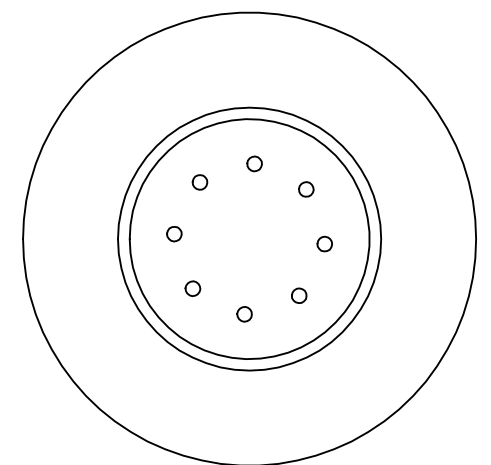
2

1



8X 26AWG PTFE INSULATED LEADS
 TERMINATED WITH 0.1" MALE CRIMP PINS
 ON EITHER SIDE OF FLANGE
 (HOUSING TO BE SELECTED BY CUSTOMER)

SS304 KF16 FLANGE
 W/ HALFNIPPLE



Vacuum

Atmosphere

NOTES:

1. Operating Temperatures: -10C to 50C
2. Vacuum Leak Rating: 10^{-7} ATM-CC/Sec

PROPRIETARY AND CONFIDENTIAL
 THE INFORMATION CONTAINED IN THIS
 DRAWING IS THE SOLE PROPERTY OF
 BELILOVE CO. ENGINEERS. ANY
 REPRODUCTION IN PART OR AS A WHOLE
 WITHOUT THE WRITTEN PERMISSION OF
 BELILOVE CO. ENGINEERS IS
 PROHIBITED.

UNLESS OTHERWISE SPECIFIED:		NAME	DATE	BCE
DIMENSIONS ARE IN INCHES		DRAWN	A.M	
TOLERANCES:		CHECKED		
FRACTIONAL: \pm		ENG APPR.		
ANGULAR: MACH \pm BEND \pm		MFG APPR.		
TWO PLACE DECIMAL \pm		Q.A.		TITLE:
THREE PLACE DECIMAL		COMMENTS:		8 LEAD FEEDTHROUGH
INTERPRET GEOMETRIC TOLERANCING PER:	MATERIAL	THIS DRAWING IS FOR REFERENCE ONLY.		SIZE DWG. NO. REV
	SEE DWG	FINAL PRODUCT MAY DIFFER.		B BCE10818 -
FINISH	SEE DWG			SCALE: NTS WEIGHT: N/A SHEET 1 OF 1
DO NOT SCALE DRAWING				

4

3

2

1

B

B

A

A