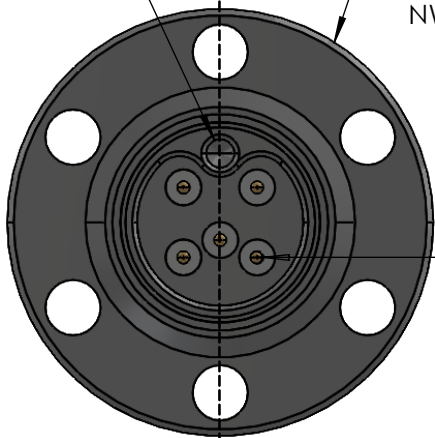


2

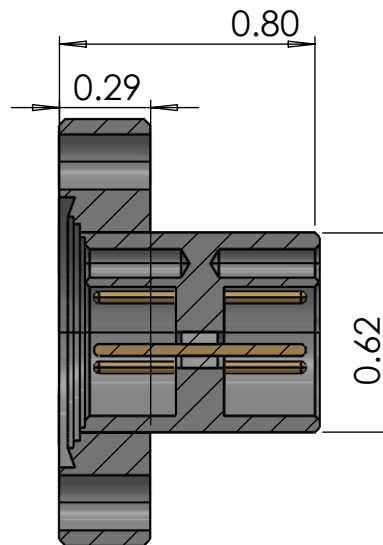
1

4-40 UNC-1B $\nabla$  .200  
BOTH SIDES

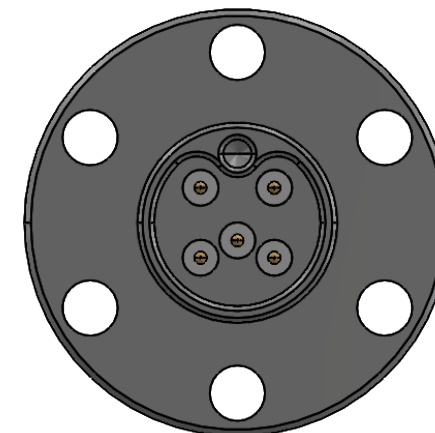
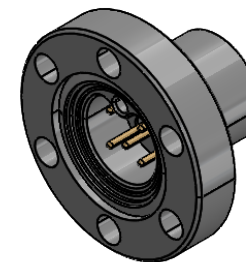
D

 $\phi$  1.33  
NW16CF5X  $\phi$  0.038  
0.037  
RA 330 SS PINS  
Au PLATED

D



SECTION D-D

**NOTES:**

1. LEAK RATE :  $1 \times 10^{-9}$  ATM CC/SEC He
2. VOLTAGE : 1,000 VDC BASED ON 23C MAX TEMP
3. CURRENT: 1.6 AMPS PER PIN MAX @23C
4. TEMPERAURE RANGE: -100°C to 135°C
5. PRESSURE RATING @20°C: 1350 PSIG.
6. AIR TO VACUUM PIN POSITION IS MIRRORED
7. MATERIALS: SS, NI-FE ALLOY, AU-PLT PINS
8. GENDER: MALE/MALE
9. ROHS COMPLIANT
10. MATING UHV CONNECTORS & CABLES AVAILABLE UPON REQUEST

**PLEASE SIGN TO APPROVE**

X \_\_\_\_\_ / \_\_\_\_\_

The information given herein is based on data believed to be accurate, but BCE makes no expressed or implied warranties as to its accuracy and assumes no liability arising out of its use by others. This information does not constitute a license to use or infringe on any patents

**PROPRIETARY AND CONFIDENTIAL**

THE INFORMATION CONTAINED IN THIS DRAWING IS THE SOLE PROPERTY OF BELLOVE CO. ENGINEERS. ANY REPRODUCTION IN PART OR AS A WHOLE WITHOUT THE WRITTEN PERMISSION OF BELLOVE CO. ENGINEERS IS PROHIBITED.

UNLESS OTHERWISE SPECIFIED:

DIMENSIONS ARE IN INCHES  
TOLERANCES:  
FRACTIONAL  $\pm$   
ANGULAR: MACH  $\pm$  BEND  $\pm$   
TWO PLACE DECIMAL  $\pm$  .030  
THREE PLACE DECIMAL  $\pm$  .015

INTERPRET GEOMETRIC  
TOLERANCING PER:MATERIAL  
SEE DWGFINISH  
N/A

DO NOT SCALE DRAWING

PART. NO.

**BCE**

TITLE:

**5 PIN CONNECTOR**

SIZE

**A**

DWG. NO.

**BCE10977**

REV

-

SCALE: NTS

WEIGHT: N/A

SHEET 1 OF 1

2

1

B

B

A

A