

4

3

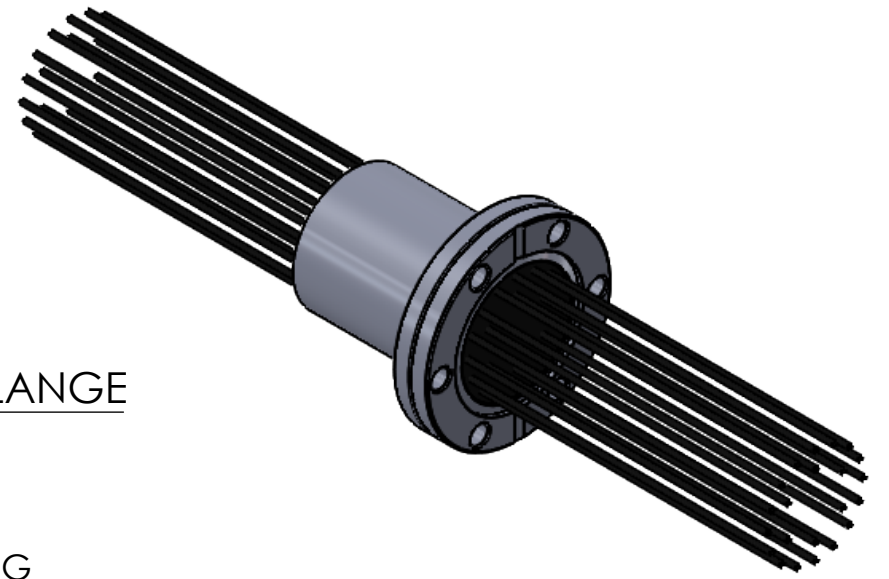
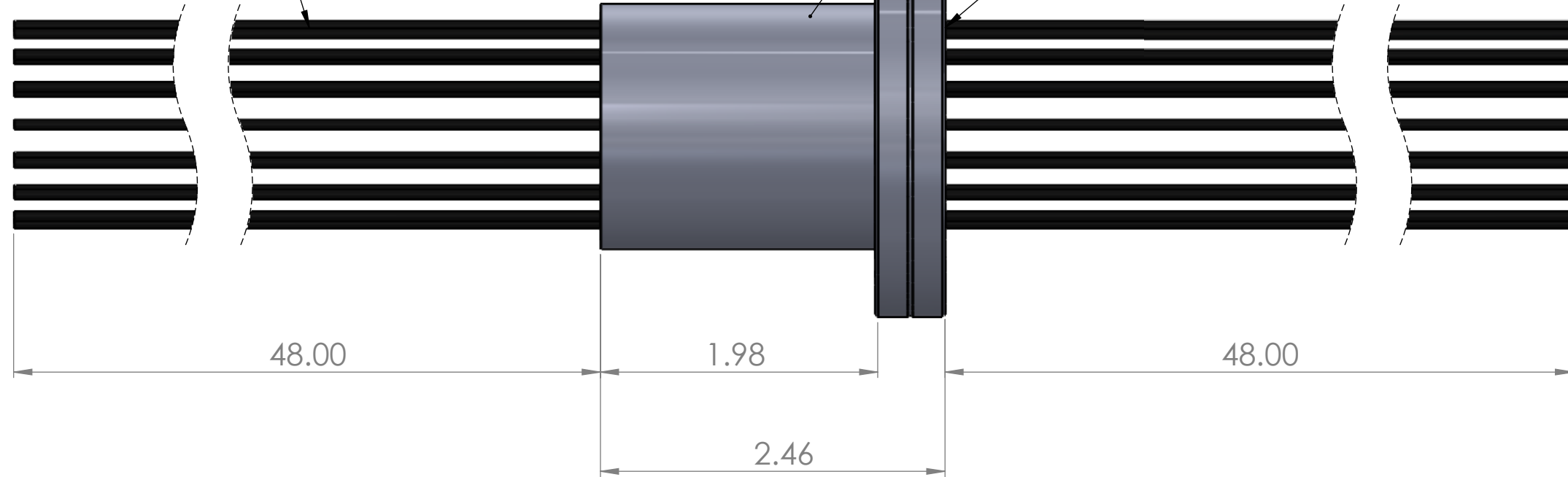
2

1

20 X 26 AWG TEFLON INSULATED
COPPER STRANDED WIRE
(10 x RED WIRE, 10 x BLACK WIRE)

304 SS 2.75" CF FLANGE

EPOXY POTTING



NOTES:

1. FOR LGS INNOVATIONS REFERENCE ONLY
2. VACUUM LEAK RATE: 10^{-6} ATM-CC/S
3. OPERATING TEMP: -10 TO 60 °C

UNLESS OTHERWISE SPECIFIED:

DIMENSIONS ARE IN INCHES
 TOLERANCES:
 FRACTIONAL ±
 ANGULAR: MACH ± BEND ±
 TWO PLACE DECIMAL ±
 THREE PLACE DECIMAL ±

INTERPRET GEOMETRIC TOLERANCING PER:

MATERIAL SEE BOM

FINISH N/A

DO NOT SCALE DRAWING



TITLE:
**20 WIRE
 FEEDTHROUGH**

SIZE	DWG. NO.	REV
B	BCE10513	-

SCALE:NTS	SHEET 1 OF 1
-----------	--------------

PROPRIETARY AND CONFIDENTIAL

THE INFORMATION CONTAINED IN THIS DRAWING IS THE SOLE PROPERTY OF <INSERT COMPANY NAME HERE>. ANY REPRODUCTION IN PART OR AS A WHOLE WITHOUT THE WRITTEN PERMISSION OF <INSERT COMPANY NAME HERE> IS PROHIBITED.

4

3

2

1

B

B

A

A