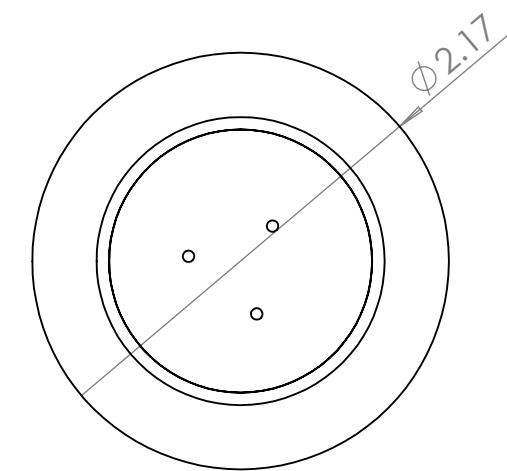
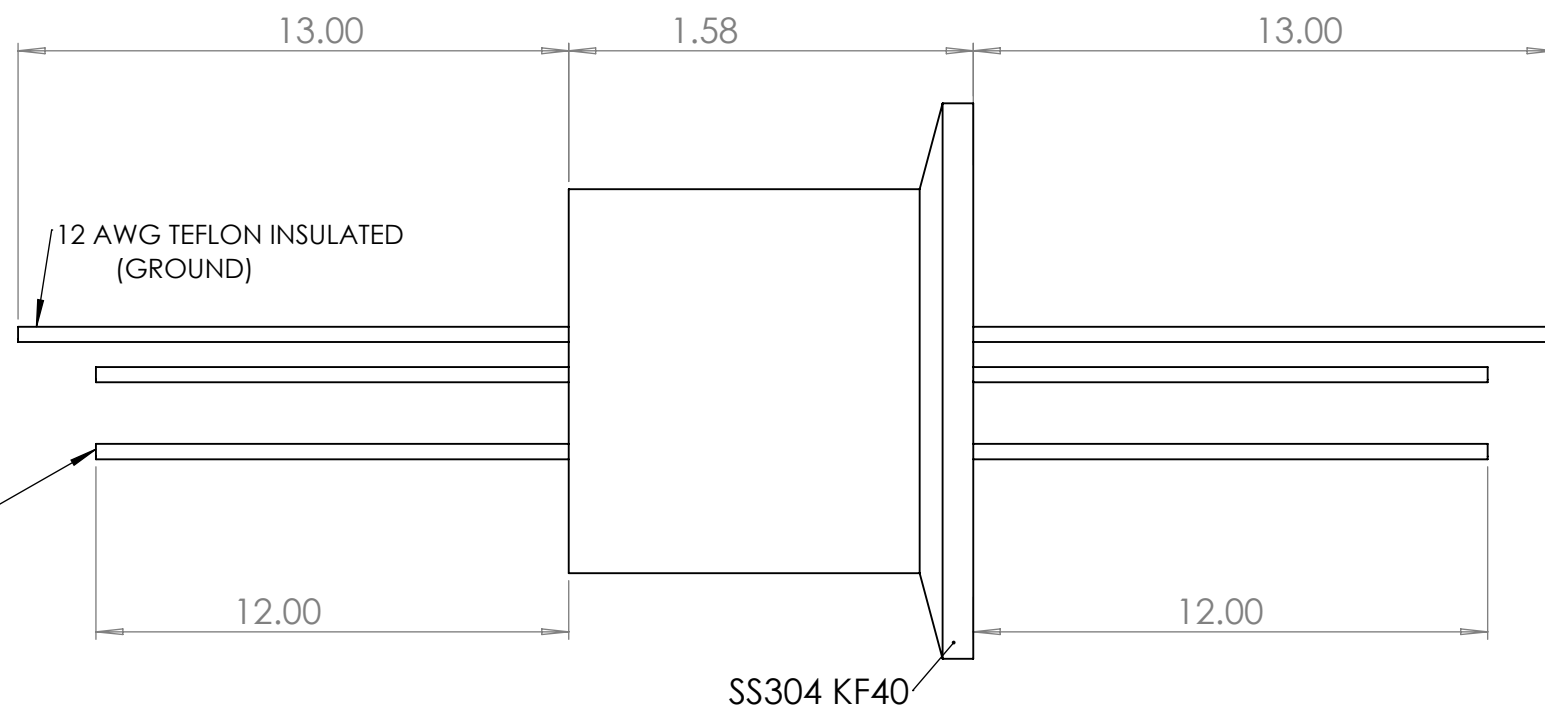
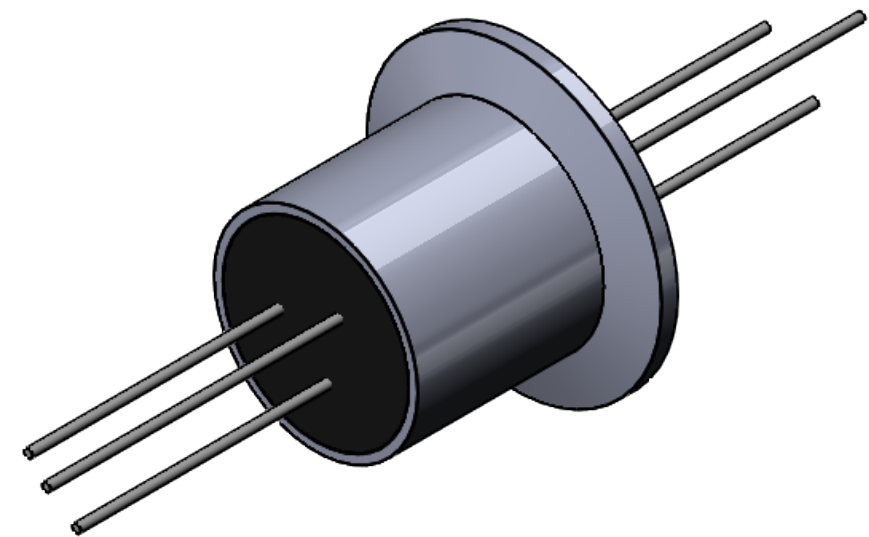


4

3

2

1



**NOTES:**

- 1. OPERATING TEMPERATURE: 0C to 60C
- 2. ELECTRICAL : 125 VOLTS 15 AMPS
- 2. Vacuum Leak Rating:  $10^{-6}$  ATM-CC/Sec

**PROPRIETARY AND CONFIDENTIAL**  
 THE INFORMATION CONTAINED IN THIS DRAWING IS THE SOLE PROPERTY OF BELILOVE CO. ENGINEERS. ANY REPRODUCTION IN PART OR AS A WHOLE WITHOUT THE WRITTEN PERMISSION OF BELILOVE CO. ENGINEERS IS PROHIBITED.

UNLESS OTHERWISE SPECIFIED:		NAME	DATE
DIMENSIONS ARE IN INCHES		DRAWN	A.M
TOLERANCES:		CHECKED	
FRACTIONAL ±		ENG APPR.	
ANGULAR: MACH ± BEND ±		MFG APPR.	
TWO PLACE DECIMAL ±		Q.A.	
THREE PLACE DECIMAL ±		COMMENTS:	
INTERPRET GEOMETRIC TOLERANCING PER:	MATERIAL	THIS DRAWING IS FOR REFERENCE ONLY.	
	SEE DWG	FINAL PRODUCT MAY DIFFER.	
FINISH	SEE DWG		
DO NOT SCALE DRAWING			

<b>BCE</b>			
TITLE:			
120V FEEDTHROUGH			
SIZE	DWG. NO.	REV	
<b>B</b>	<b>BCE10658</b>	-	
SCALE: NTS	WEIGHT: N/A	SHEET 1 OF 1	

4

3

2

1

B

B

A

A