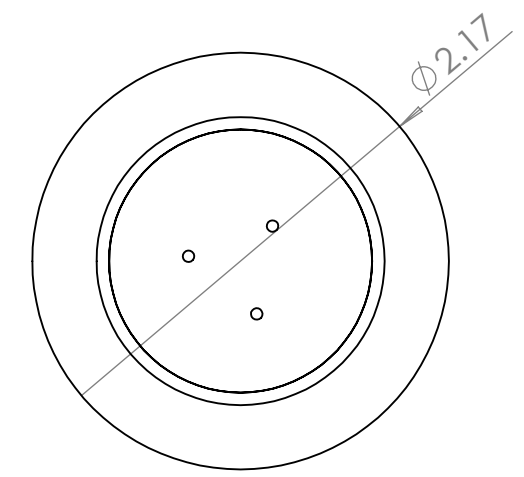
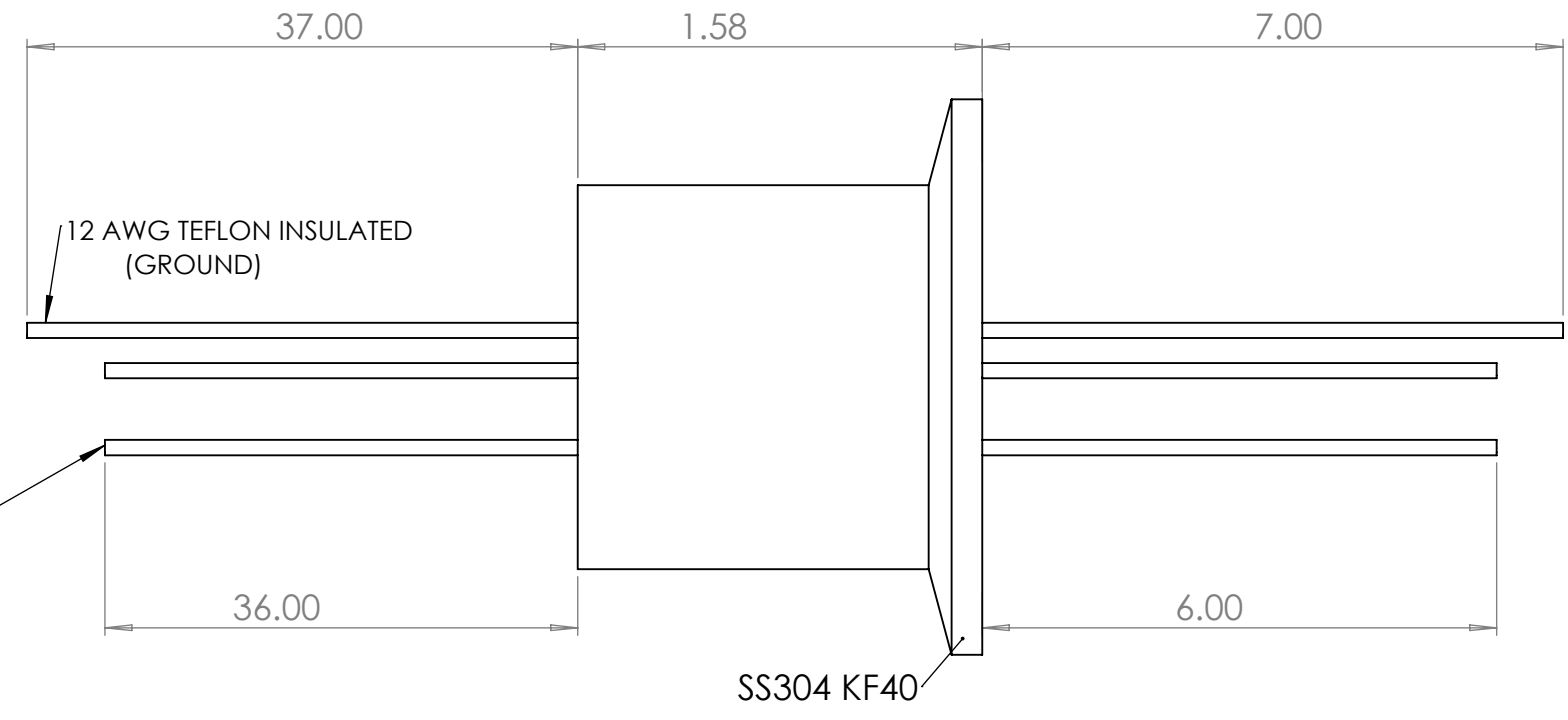
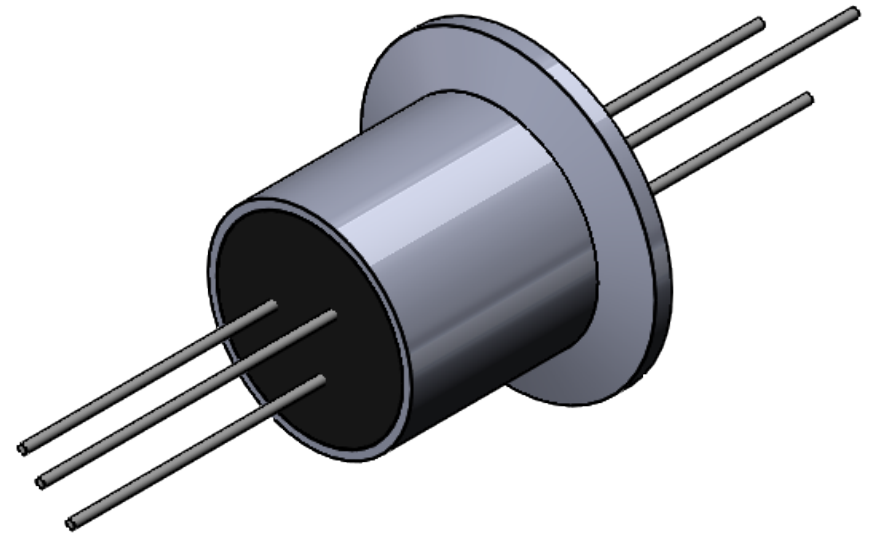


4

3

2

1



NOTES:

- 1. OPERATING TEMPERATURE: 0C to 60C
- 2. ELECTRICAL : 125 VOLTS 15 AMPS
- 2. Vacuum Leak Rating: 10⁻⁶ ATM-CC/Sec

PROPRIETARY AND CONFIDENTIAL
 THE INFORMATION CONTAINED IN THIS DRAWING IS THE SOLE PROPERTY OF BELILOVE CO. ENGINEERS. ANY REPRODUCTION IN PART OR AS A WHOLE WITHOUT THE WRITTEN PERMISSION OF BELILOVE CO. ENGINEERS IS PROHIBITED.

UNLESS OTHERWISE SPECIFIED:		NAME	DATE
DIMENSIONS ARE IN INCHES		DRAWN	A.M
TOLERANCES:		CHECKED	
FRACTIONAL ±		ENG APPR.	
ANGULAR: MACH ± BEND ±		MFG APPR.	
TWO PLACE DECIMAL ±		Q.A.	
THREE PLACE DECIMAL ±		COMMENTS:	
INTERPRET GEOMETRIC TOLERANCING PER:	MATERIAL	THIS DRAWING IS FOR REFERENCE ONLY.	
	SEE DWG	FINAL PRODUCT MAY DIFFER.	
FINISH	SEE DWG		
DO NOT SCALE DRAWING			



TITLE:		
120V FEEDTHROUGH		
SIZE	DWG. NO.	REV
B	BCE10948	-
SCALE: NTS	WEIGHT: N/A	SHEET 1 OF 1

4

3

2

1

B

B

A

A