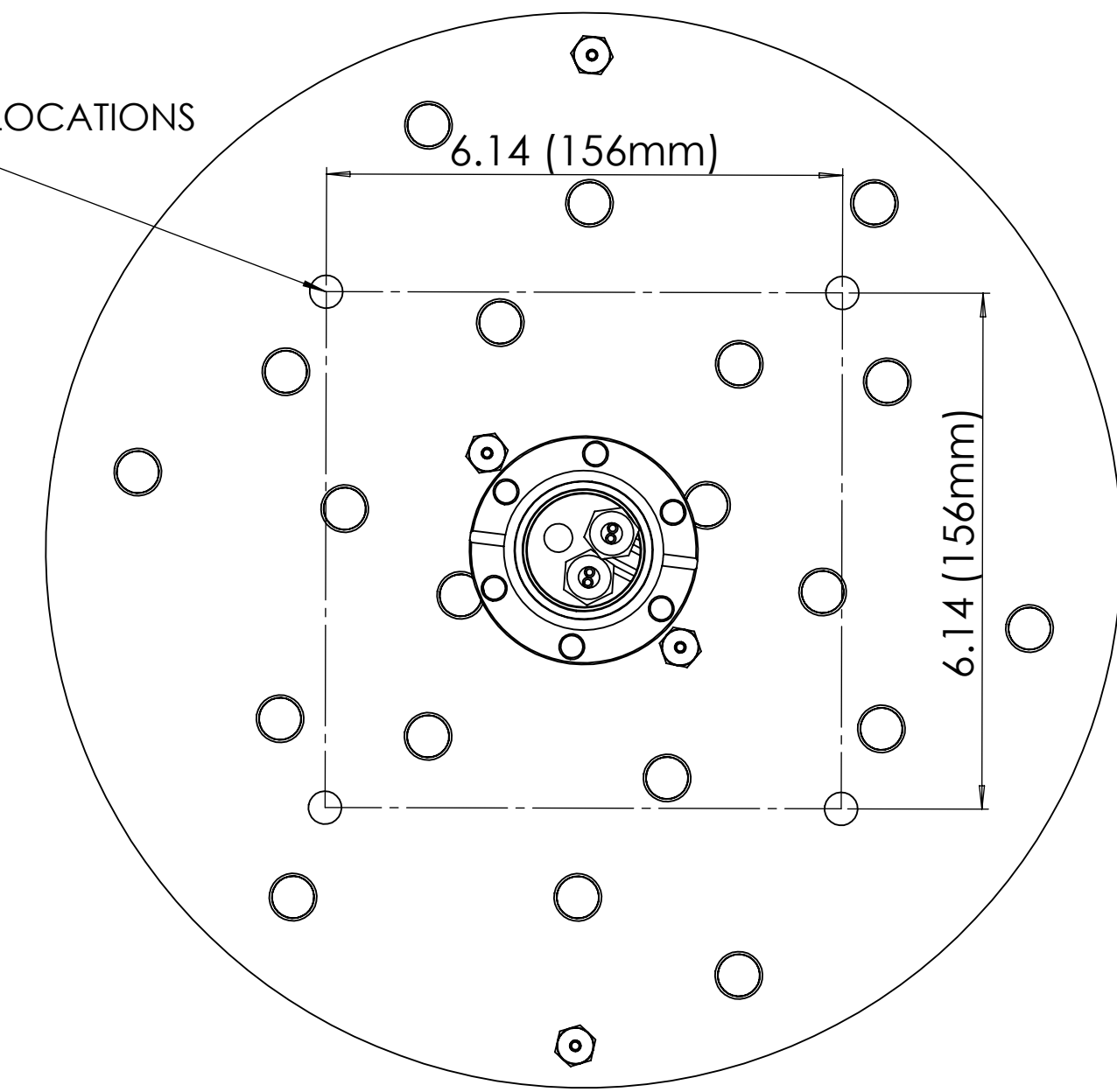
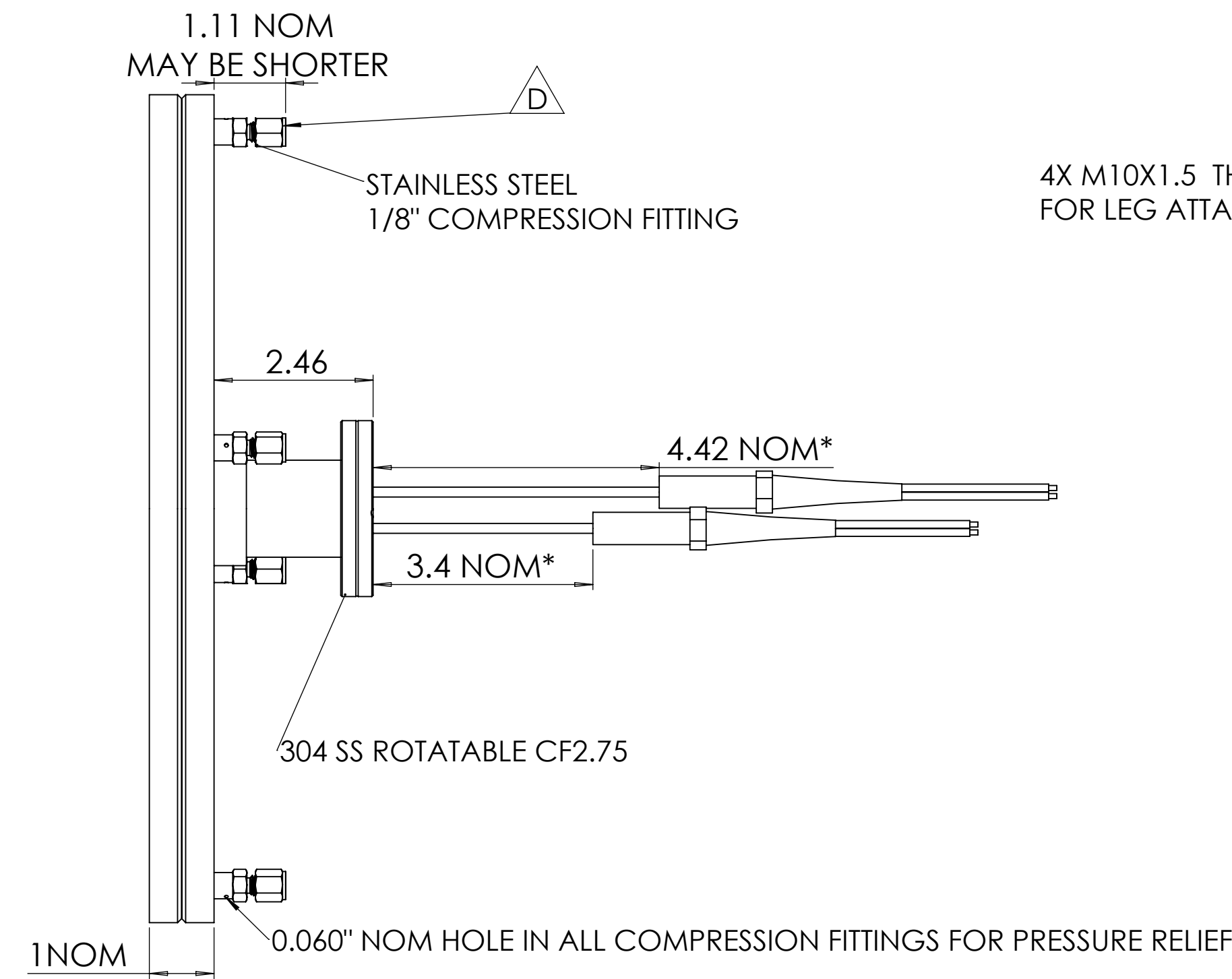
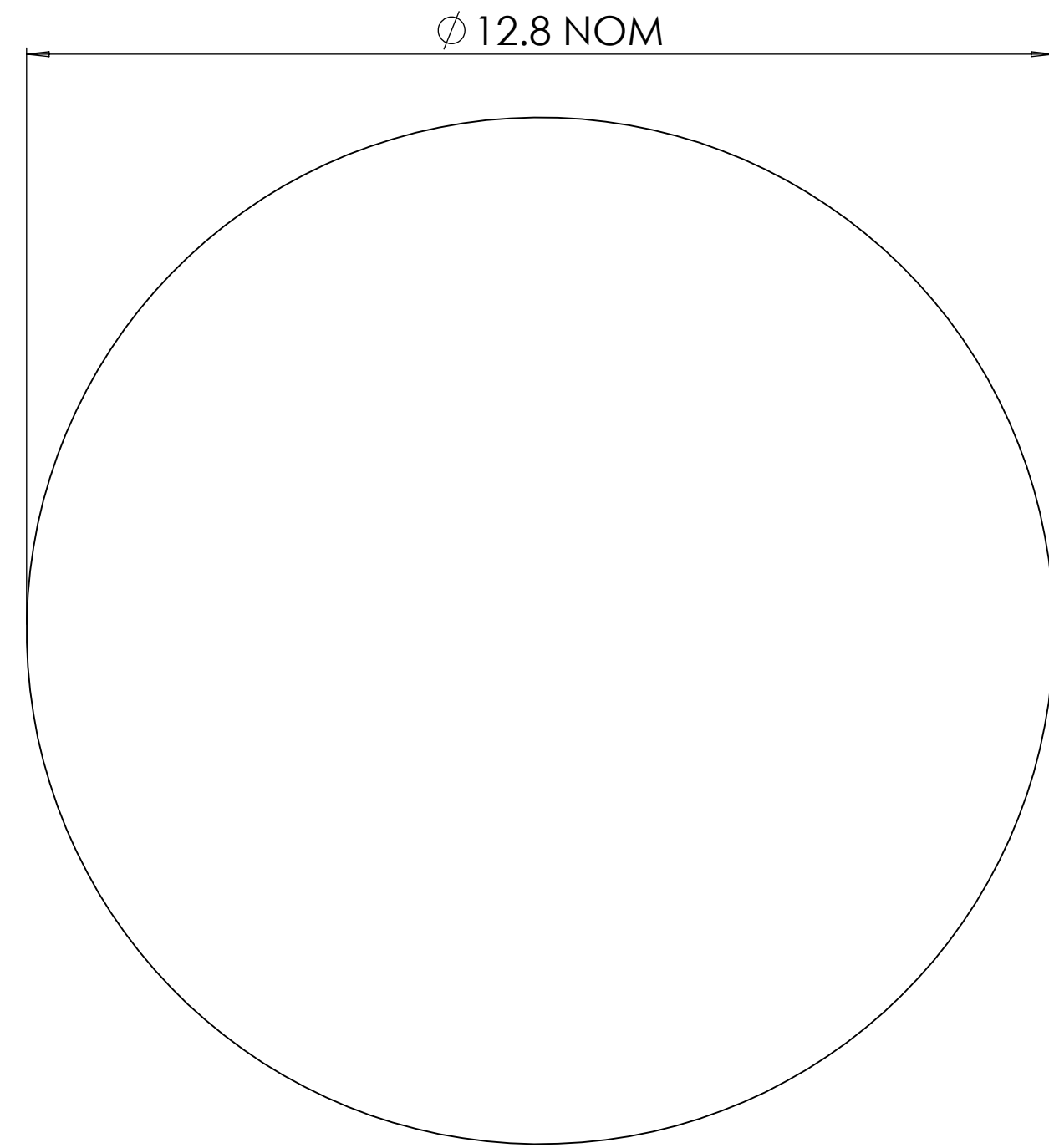
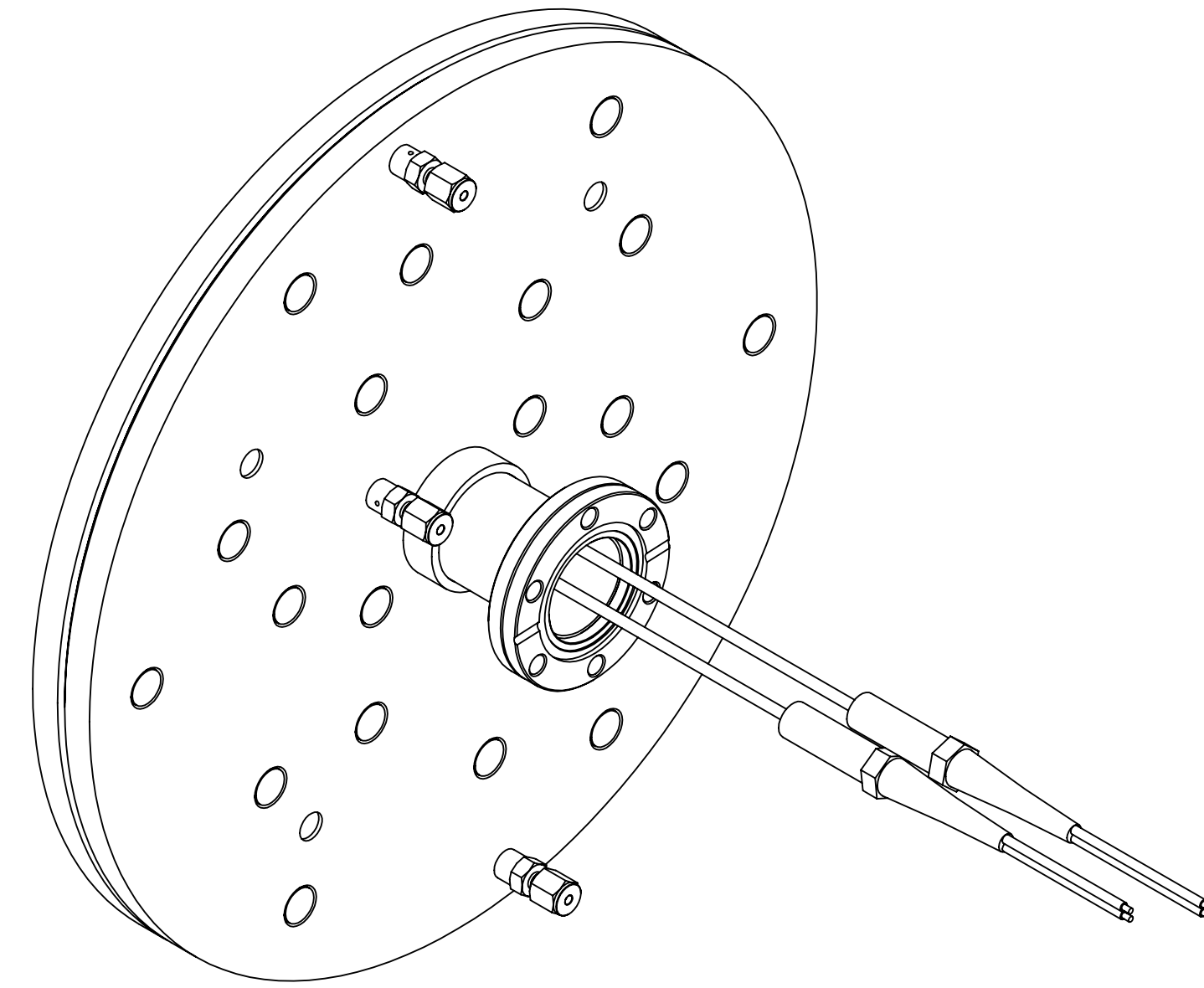


REVISIONS				
ZONE	REV.	DESCRIPTION	DATE	APPROVED
	B	4 BAYONET ADAPTERS ADDED EXTERNALLY/CENTRAL ADAPTER REMOVED	7/21/2023	A.M
	C	M10X1.5 THREADS DETAIL ADDED	7/24/2023	A.M
C5	D	4X 1/8" COMPRESSION FITTINGS TO REPLACE BAYONET ADAPTERS	7/28/2023	A.M



- ELECTRICAL: 240 VOLT, 2,274 WATT (+/-10%) **TOTAL WATTAGE**
2-ZONE HEATER; [745WATT **INNER ZONE**] – [1528 WATT **OUTER ZONE**]
36" FIBERGLASS LEADS W/ 3" NOM SS BRAID
- THERMOCOUPLE COMPRESSION PORTS WELDED AT GENERAL LOCATIONS SHOWN
- HEATER LENGTHS ESTIMATED. FINAL FABRICATION WILL SEE SLIGHTLY LONGER OR SHORTER LENGTHS AS A RESULT OF THE VARIOUS BENDS.*
- STAINLESS STEEL 304 MAIN BODY CONSTRUCTION. , 304SS HEAT SOURCE
- OPERATION:
 - HIGH POT TEST TO 700VDC @ 0.5mA FOR 5 SECONDS
 - USER TO MAKE SURE LEADWIRE TO CASING HAS AT LEAST 1 M-OHM PRIOR TO ENERGIZING
 - IF UNIT IS UNDER 1 M-OHM, BAKE OUT HEATER AS NECESSARY PRIOR TO OPERATING.
- P/N: ASBCE 11345REVD**

PROPRIETARY AND CONFIDENTIAL
THE INFORMATION CONTAINED IN THIS DRAWING IS THE SOLE PROPERTY OF BCE/CFG.
ANY REPRODUCTION IN PART OR AS A WHOLE WITHOUT THE WRITTEN PERMISSION OF BCE/CFG IS PROHIBITED.

UNLESS OTHERWISE SPECIFIED:		NAME	DATE	21060 Corsair Blvd Hayward, CA 94545 TITLE: 2 ZONE 300MM VACUUM CHUCK PEDESTAL SIZE DWG. NO. REV D BCE11345 D SCALE: NTS WEIGHT: SHEET 1 OF 1
DIMENSIONS ARE IN INCHES		DRAWN	A.M	
TOLERANCES:		CHECKED	D.S	
FRACTIONAL ±		ENG APPR.	A.M	
ANGULAR: MAACH ± BEND ±		MFG APPR.		
TWO PLACE DECIMAL ±0.015				
THREE PLACE DECIMAL ±0.007				
INTERPRET GEOMETRIC TOLERANCING PER:		Q.A.		
MATERIAL		COMMENTS:		
NEXT ASSY	USED ON	FINISH	SEE NOTES	
APPLICATION	DO NOT SCALE DRAWING			