

8

7

6

5

4

3

2

1

D

D

C

C

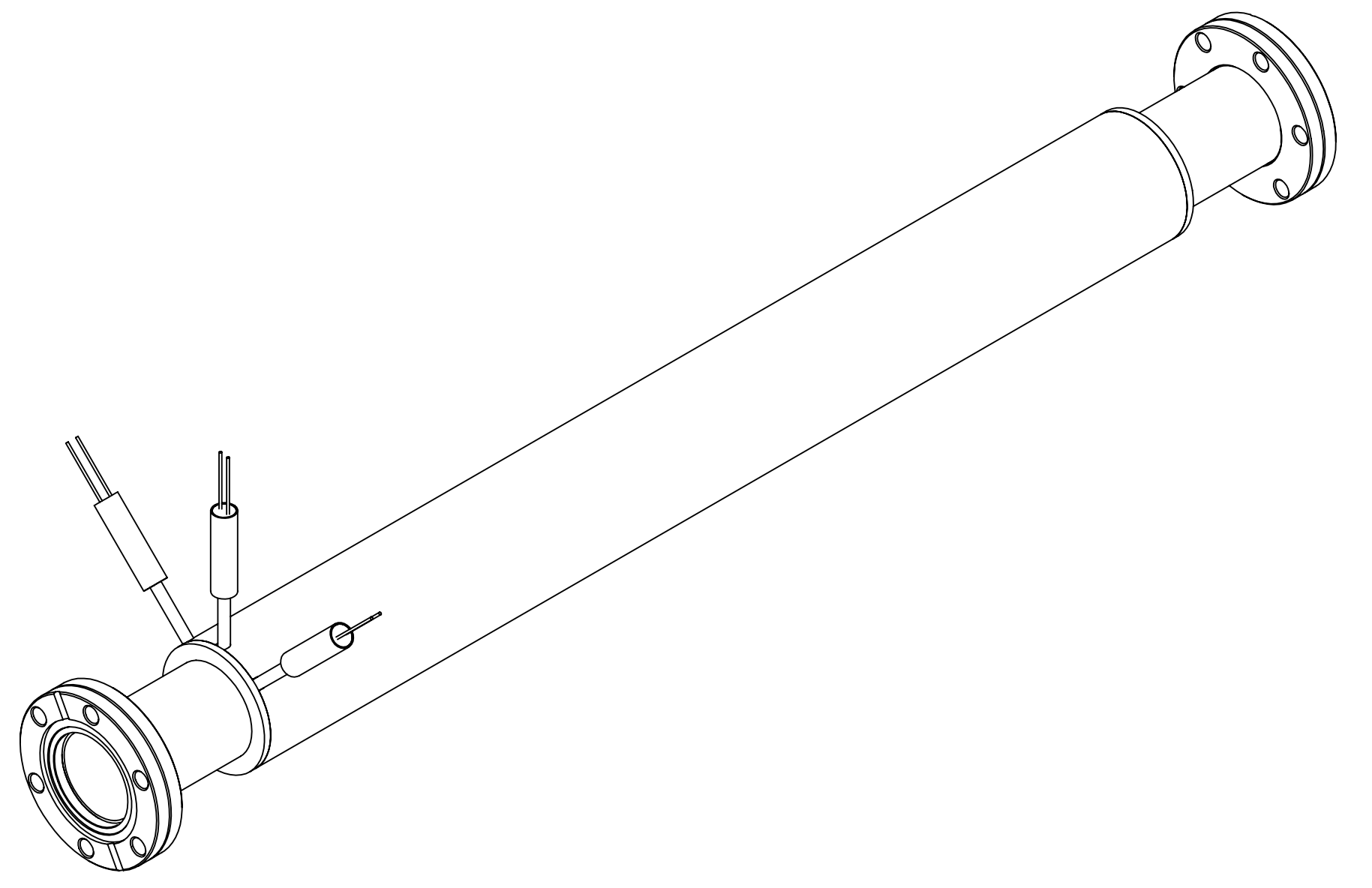
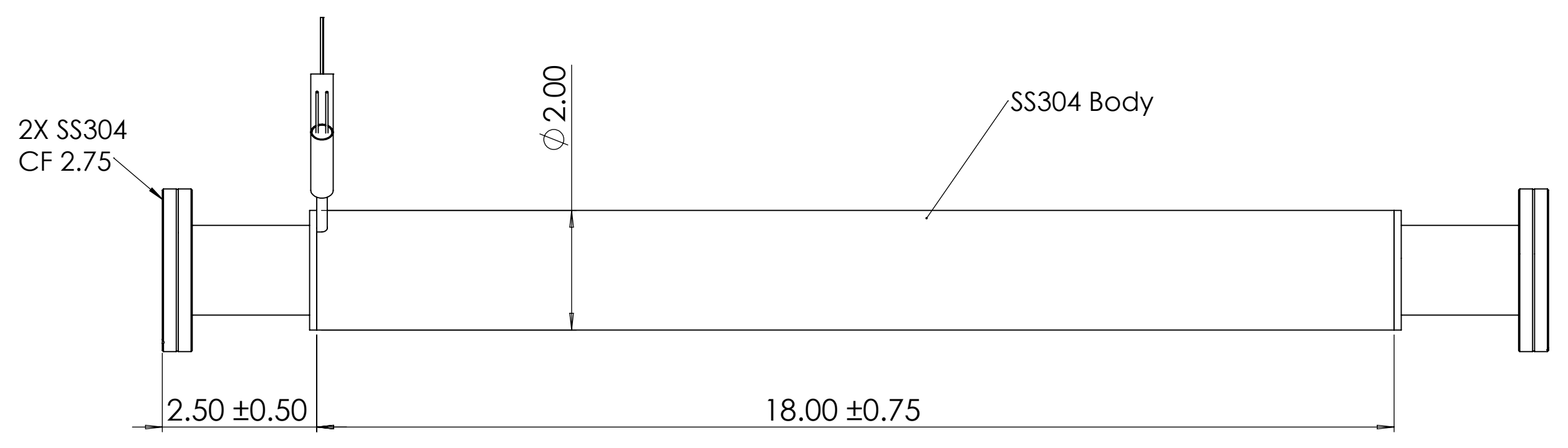
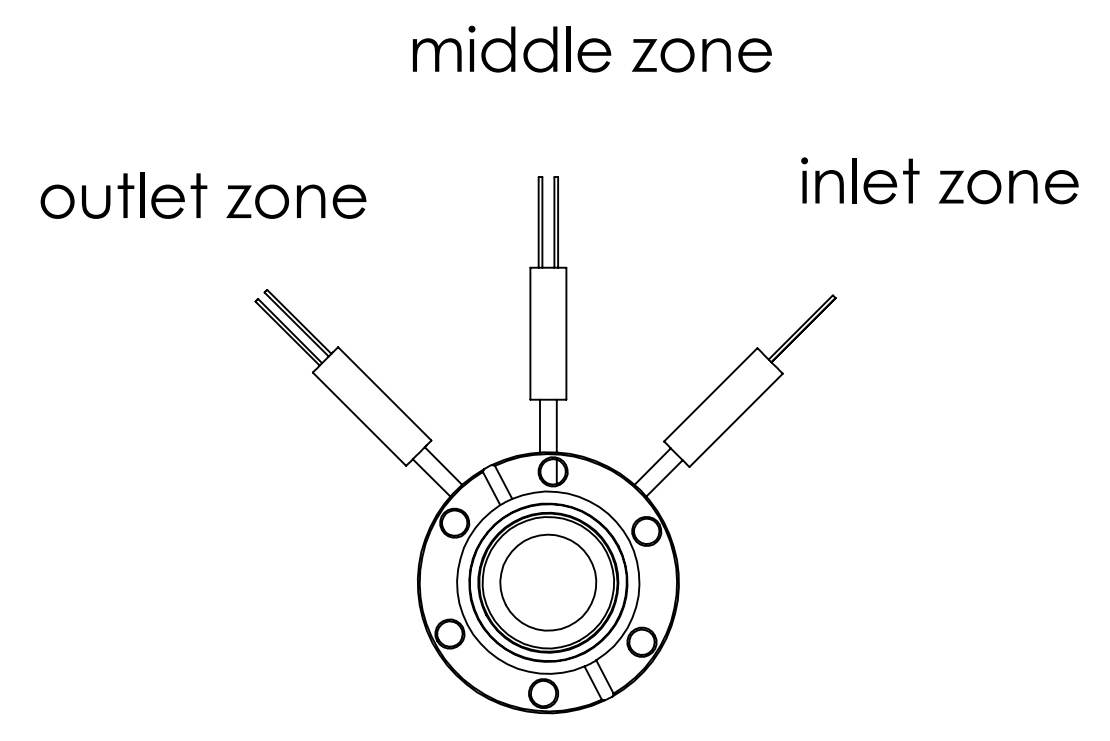
B

B

A

A

TRANSITION EXITS MAY BE CLOSER OR FURTHER APART WHEN FABRICATED



NOTES:

1. ELECTRICAL: 11 kW(+/- 10%) 240 VOLTS SINGLE/3-PHASE -36" FIBERGLASS LEADS
2. BUILT IN TYPE K GROUNDED THERMOCOUPLES INSIDE 304 SS HEAT SOURCE
3. STAINLESS STEEL 304 MAIN BODY CONSTRUCTION. STAINLESS STEEL 304 CF 2.75 , 304SS HEAT SOURCE
4. BCE TO CHEMICALLY CLEAN WITH IPA, BAG & TAG WITH PN.
5. ASSEMBLY TO BE POWERED UP & RAMPED IN ATMOSPHERE AT BCE PRIOR TO SHIPMENT. DISCOLORATION MAY BE PRESENT.
6. He LEAK TESTED = 5X10-4 ATM, CC/SEC OR BETTER
7. AFTER CLEANING, MUST PASS 700VDC FOR 5 SECONDS, @ 0.5mA OR BETTER
8. DO NOT OPERATE WIITHOUT PROPER AIR FLOW

PROPRIETARY AND CONFIDENTIAL
 THE INFORMATION CONTAINED IN THIS DRAWING IS THE SOLE PROPERTY OF BCE/CFG.
 ANY REPRODUCTION IN PART OR AS A WHOLE WITHOUT THE WRITTEN PERMISSION OF BCE/CFG IS PROHIBITED.

UNLESS OTHERWISE SPECIFIED:		NAME	DATE	21060 Corsair Blvd Hayward, CA 94545
DIMENSIONS ARE IN INCHES		DRAWN	AJM	
TOLERANCES:		CHECKED	D.S	TITLE:
FRACTIONAL	±	ENG APPR.	AJM	MINI CLEAN FLOW -
ANGULAR	MACH ±	MFG APPR.		THREE PHASE
TWO PLACE DECIMAL	±0.015	Q.A.		SIZE DWG. NO.
THREE PLACE DECIMAL	±0.007	COMMENTS:		D BCE11256
INTERPRET GEOMETRIC TOLERANCING PER:				SCALE: NTS WEIGHT:
MATERIAL				SHEET 1 OF 1
FINISH	SEE NOTES			
APPLICATION	DO NOT SCALE DRAWING			

8

7

6

5

4

3

2

1