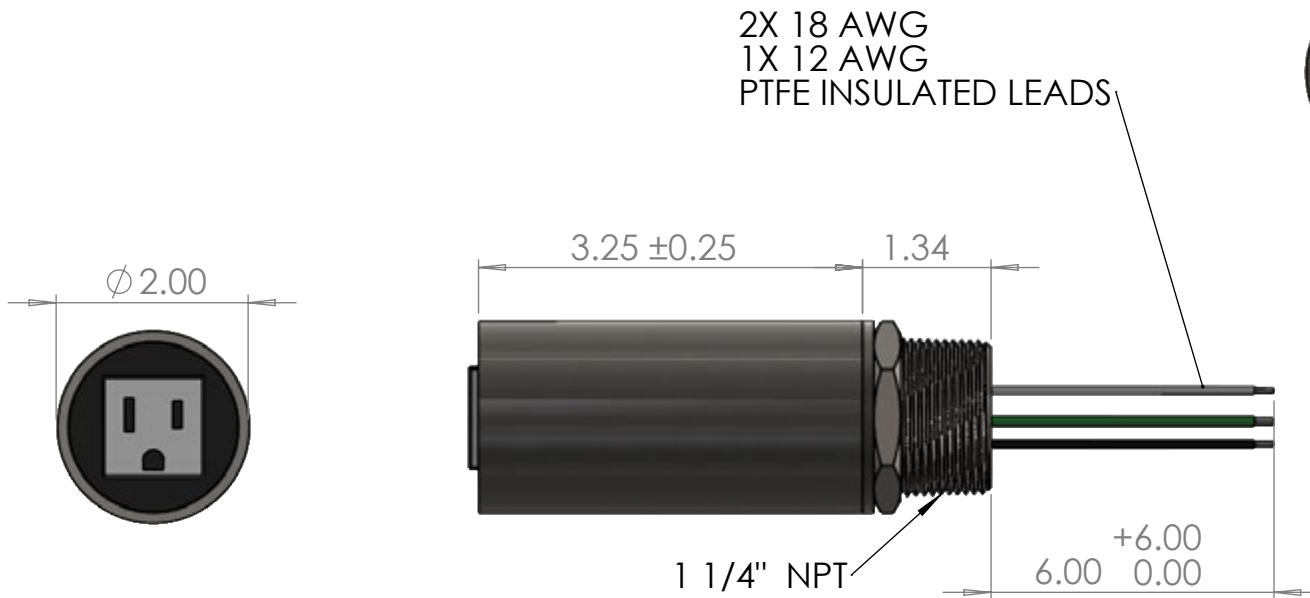


2

1

B

B



NOTES

1. 125V, 15A ELECTRICAL FEEDTHROUGH
2. OPERATING TEMPERATURE: 20C to 40C
3. VACUUM LEAK RATING: 10^{-7} ATM-CC/Sec
4. BODY MATERIAL: STAINLESS STEEL

PROPRIETARY AND CONFIDENTIAL
 THE INFORMATION CONTAINED IN THIS DRAWING IS THE SOLE PROPERTY OF BELLOVE CO. ENGINEERS. ANY REPRODUCTION IN PART OR AS A WHOLE WITHOUT THE WRITTEN PERMISSION OF BELLOVE CO. ENGINEERS IS PROHIBITED.

UNLESS OTHERWISE SPECIFIED:	
DIMENSIONS ARE IN INCHES	
TOLERANCES:	
FRACTIONAL ±	
ANGULAR: MACH ± BEND ±	
TWO PLACE DECIMAL ± .010	
THREE PLACE DECIMAL ± .005	
INTERPRET GEOMETRIC TOLERANCING PER:	
MATERIAL	SEE DWG
FINISH	N/A
DO NOT SCALE DRAWING	



TITLE:
120V SOCKET VACUUM FEEDTHROUGH

SIZE	DWG. NO.	REV
A	BCE10956	-
SCALE: NTS	WEIGHT: N/A	SHEET 1 OF 1

A

2

1

A