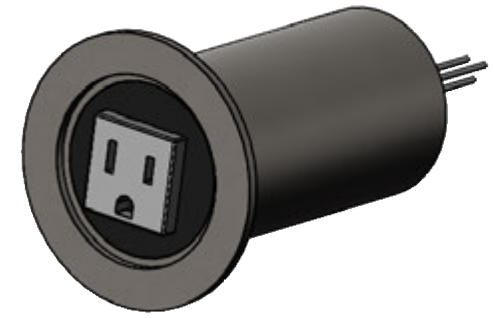


2

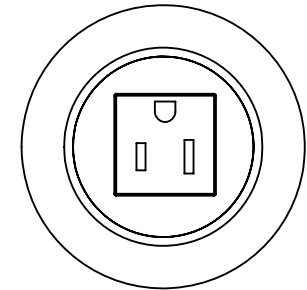
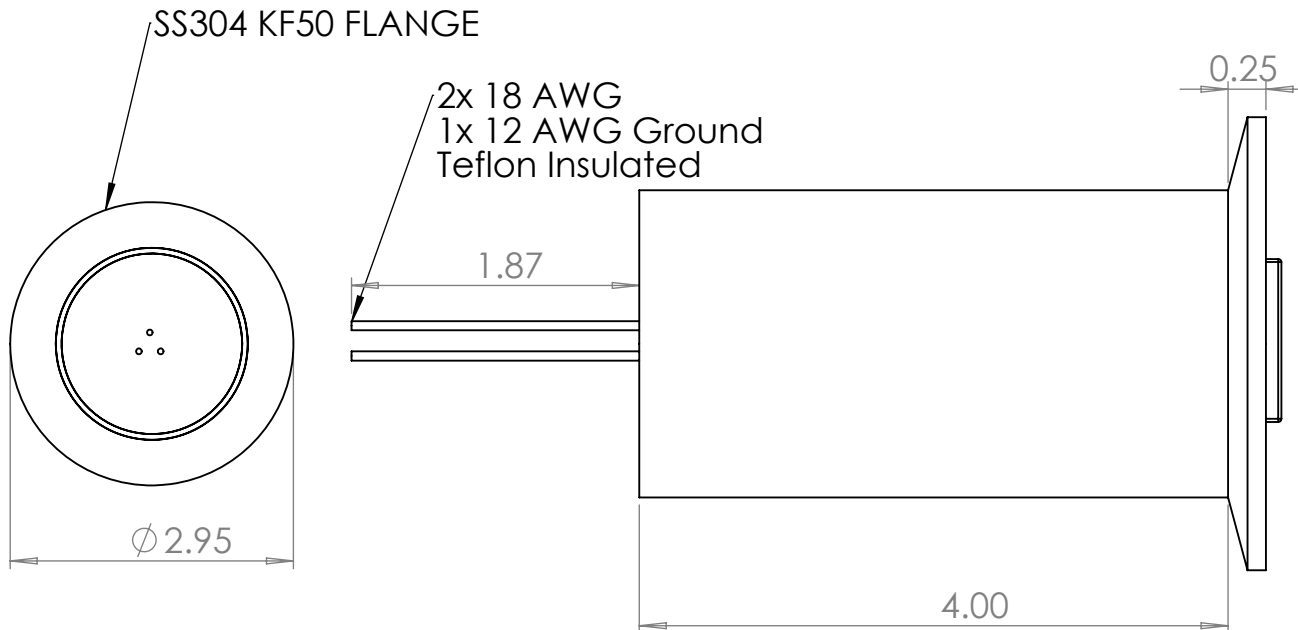
1

B

B



**ISOMETRIC VIEW**  
FOR REF. ONLY



### NOTES

1. 125V, 15A ELECTRICAL FEEDTHROUGH
2. OPERATING TEMPERATURE: 20C to 40C
3. VACUUM LEAK RATING:  $10^{-8}$  ATM-CC/Sec

UNLESS OTHERWISE SPECIFIED:

DIMENSIONS ARE IN INCHES  
TOLERANCES:  
FRACTIONAL  $\pm$   
ANGULAR: MACH  $\pm$  BEND  $\pm$   
TWO PLACE DECIMAL  $\pm$  .010  
THREE PLACE DECIMAL  $\pm$  .005

INTERPRET GEOMETRIC  
TOLERANCING PER:

MATERIAL  
SEE DWG

FINISH  
N/A

DO NOT SCALE DRAWING

TITLE:

120V SOCKET  
VACUUM FEEDTHROUGH

SIZE

**A**

DWG. NO.

BCE10885

REV

-

SCALE: NTS

WEIGHT: N/A

SHEET 1 OF 1

**PROPRIETARY AND CONFIDENTIAL**

THE INFORMATION CONTAINED IN THIS  
DRAWING IS THE SOLE PROPERTY OF  
BELLOVE CO. ENGINEERS. ANY  
REPRODUCTION IN PART OR AS A WHOLE  
WITHOUT THE WRITTEN PERMISSION OF  
BELLOVE CO. ENGINEERS IS  
PROHIBITED.

2

1

A

A