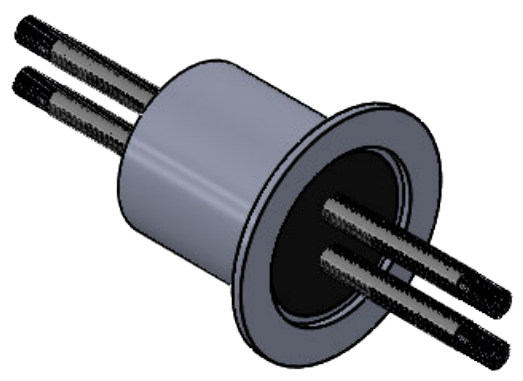


4

3

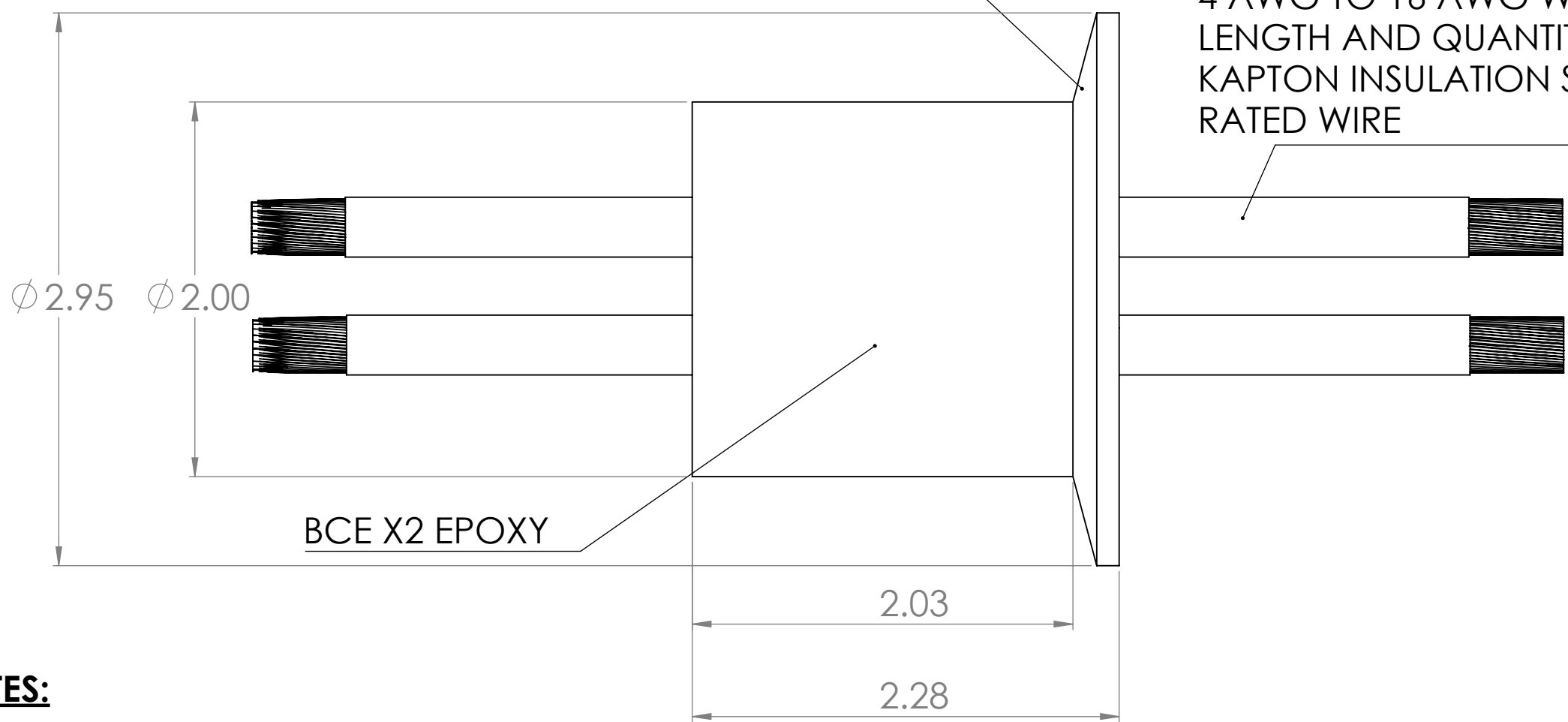
2

1



304 SS OR 316 SS KF  
OR CF FLANGE

4 AWG TO 16 AWG WIRE CUSTOMIZABLE  
LENGTH AND QUANTITY TEFLON, PVC, OR  
KAPTON INSULATION SOLID OR STRANDED UL  
RATED WIRE



**NOTES:**

1. CONTINUOUS OPERATING TEMP: -10 °C TO 65C°  
(HIGHER TEMPERATURE RATING AVAILABLE)
2. AMP RATING: UP TO 150 A
3. HELIUM LEAK RATE: 10<sup>-7</sup> ATM CC/S OR LESS
4. ALL PARTS ELECTRICALLY TESTED IN HOUSE
5. PACKAGED AND CLEANED PRIOR TO SHIPMENT

UNLESS OTHERWISE SPECIFIED:  
DIMENSIONS ARE IN INCHES  
TOLERANCES:  
FRACTIONAL ± 1/32  
ANGULAR: MACH ± 1.0 BEND ± 2.0  
TWO PLACE DECIMAL ± 0.01  
THREE PLACE DECIMAL ± 0.005



TITLE:  
**HIGH AMP  
FEEDTHROUGH**

**PROPRIETARY AND CONFIDENTIAL**  
THE INFORMATION CONTAINED IN THIS  
DRAWING IS THE SOLE PROPERTY OF  
BELILOVE COMPANY ENGINEERS. ANY  
REPRODUCTION IN PART OR AS A WHOLE  
WITHOUT THE WRITTEN PERMISSION OF  
BELILOVE COMPANY ENGINEERS IS  
PROHIBITED.

INTERPRET GEOMETRIC  
TOLERANCING PER:  
MATERIAL TBD  
FINISH N/A  
DO NOT SCALE DRAWING

SIZE	DWG. NO.	REV
<b>B</b>	<b>BCE10522</b>	-
SCALE: NTS		SHEET 1 OF 1

4

3

2

1

B

B

A

A