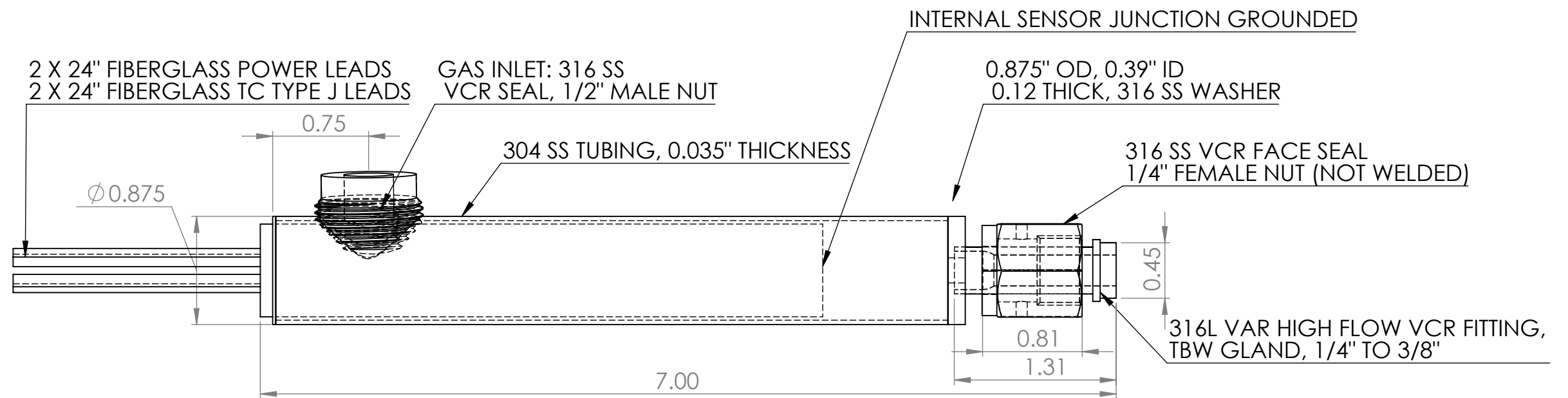
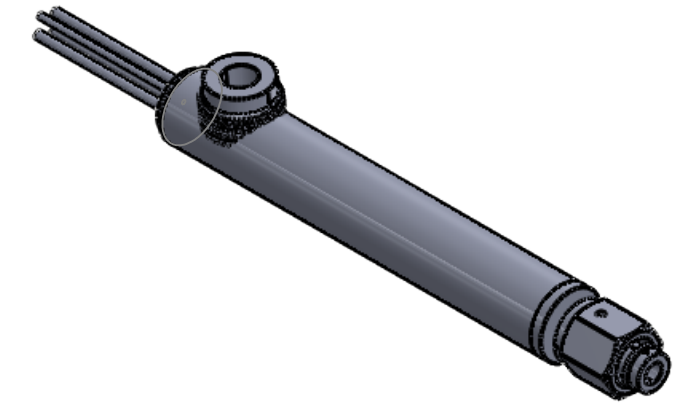


4

3

2

1



### NOTES

1. BUILT IN GROUNDED TYPE J THERMOCOUPLE
2. HEATER: 500 W (TOLERANCE (5%/-10%), 220 V
3. DESIGNED FOR HEATING OF CLEAN GAS ONLY
4. GAS FLOW INSIDE AN ENCLOSED HEATED BODY  
NOT EXPOSED TO RESISTIVE ELEMENTS (NiCr),  
MCF HEATER MUST BE ADEQUATELY INSULATED
5. ALL PARTS EXPOSED TO GAS FLOW ARE CONSTRUCTED OF 304 SS
6. ALL WETTED SURFACES OF COMPLETED ASSEMBLY WILL BE PASSIVATED
7. MUST NOT POWER UP WITHOUT AIR FLOW
8. ON INITIAL START UP, START WITH LOWER VOLTAGE  
E.G.:50% RATED UNTIL OPTIMAL PERFORMANCE IS REACHED

UNLESS OTHERWISE SPECIFIED:

DIMENSIONS ARE IN INCHES  
TOLERANCES:  
FRACTIONAL  $\pm$   
ANGULAR: MACH  $\pm$  BEND  $\pm$   
TWO PLACE DECIMAL  $\pm$   
THREE PLACE DECIMAL  $\pm$

INTERPRET GEOMETRIC  
TOLERANCING PER:

MATERIAL SEE BOM

FINISH N/A

DO NOT SCALE DRAWING

TITLE:

MINI CLEAN  
FLOW HEATER

SIZE DWG. NO.

**B** BCE10551

REV

**1**

SCALE:NTS

SHEET 1 OF 1

4

3

2

1