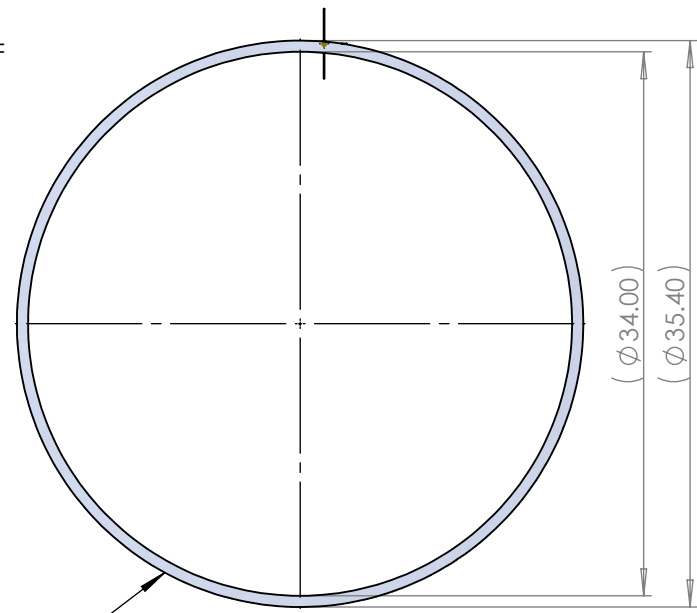


2

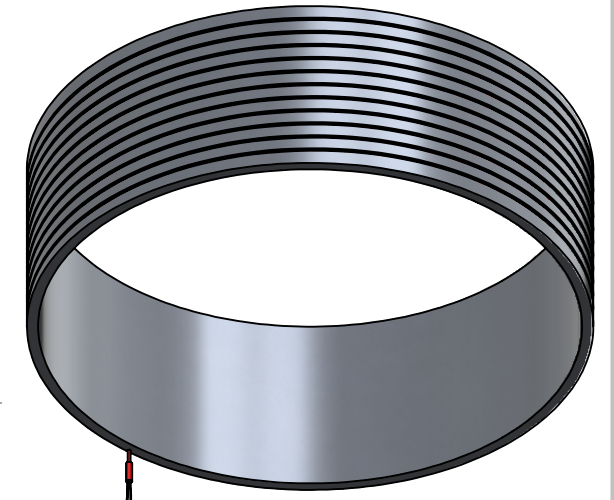
1

**NOTES**

- 1. DESIGNED FOR DEGASSING CHAMBERS OF SEMICONDUCTOR DEVICES. CAN BE USED FOR OTHER APPLICATIONS.
- 2. VACUUM COMPATIBLE TO  $10^{-8}$  TORR
- 3. MAX OPERATING TEMP.: 200°C
- 4. AL6061 RING, TEMPERATURE UNIFORMITY OF  $\pm 2\%$  AT 150°C
- 5. HEATER:
  - A. 1500W, 240V
  - B. HERMETICALLY SEALED WITH BCE PROPRIETARY EPOXY SEAL (NASA LOW OUTGASSING SPEC, ASTM E595)
  - C. BUILT-IN THERMOCOUPLE TYPE K
  - D. KAPTON LEADS FOR LOW OUTGASSING
  - E. 300 SERIES STAINLESS STEEL SHEATH
- 6. ALL DIMENSIONS, MATERIALS, FEATURES CAN BE CUSTOMIZED.



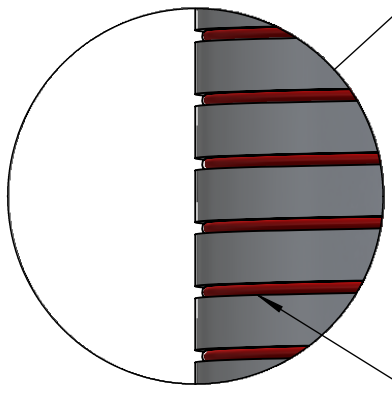
AL6061 RING



**ISOMETRIC VIEW**  
FOR REF. ONLY  
NTS



(12.00)



**DETAIL A**  
SCALE NTS  
HEATER EMBEDDED IN RING

HEATER, 1500W, 240V,  
SS SHEATH, BUILT-IN THERMOCOUPLE  
TYPE K, 4X KAPTON LEADS

UNLESS OTHERWISE SPECIFIED:

DIMENSIONS ARE IN INCHES  
 TOLERANCES:  
 FRACTIONAL  $\pm$   
 ANGULAR: MACH  $\pm$  BEND  $\pm$   
 TWO PLACE DECIMAL  $\pm .010$   
 THREE PLACE DECIMAL  $\pm .005$

INTERPRET GEOMETRIC TOLERANCING PER:

MATERIAL SEE DWG

FINISH -

DO NOT SCALE DRAWING



TITLE:  
**VACUUM RING  
 HEATER**

SIZE	DWG. NO.	REV
<b>A</b>	<b>BCE10136</b>	<b>A</b>

SCALE: NTS	WEIGHT: N/A	SHEET 1 OF 1
------------	-------------	--------------

**PROPRIETARY AND CONFIDENTIAL**  
 THE INFORMATION CONTAINED IN THIS DRAWING IS THE SOLE PROPERTY OF BCE INC. ANY REPRODUCTION IN PART OR AS A WHOLE WITHOUT THE WRITTEN PERMISSION OF BCE INC. IS PROHIBITED.

B

B

A

A

2

1