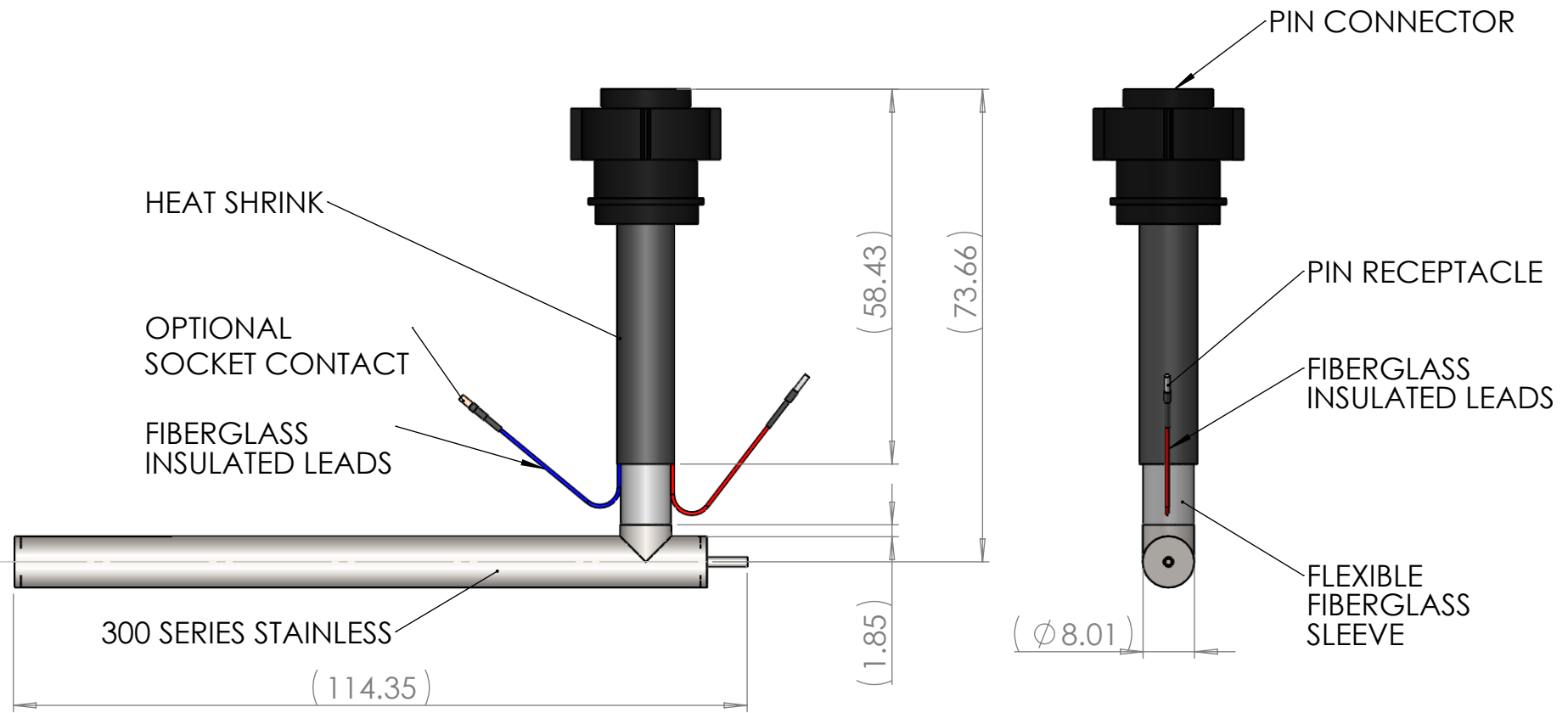


B



B

NOTES:

1. ALL REFERENCE DIMENSIONS ARE IN MILLIMETERS.
2. MULTIPLE APPLICATIONS POSSIBLE.
3. MAXIMUM OPERATING TEMPERATURE OF 400°C.
4. GENERAL USE INVOLVES NITROGEN GAS FLOW.

A

BCE

TITLE:

MINI TUBING
HEATING ELEMENT

PROPRIETARY AND CONFIDENTIAL

THE INFORMATION CONTAINED IN THIS DRAWING IS THE SOLE PROPERTY OF BELILOVE COMPANY ENGINEERS. ANY REPRODUCTION IN PART OR AS A WHOLE WITHOUT THE WRITTEN PERMISSION OF BELILOVE COMPANY ENGINEERS IS PROHIBITED.

SIZE	DWG. NO.	REV
A	BCE11175	-
SCALE: 1:1	WEIGHT: N/A	SHEET 1 OF 1

2

1