

4

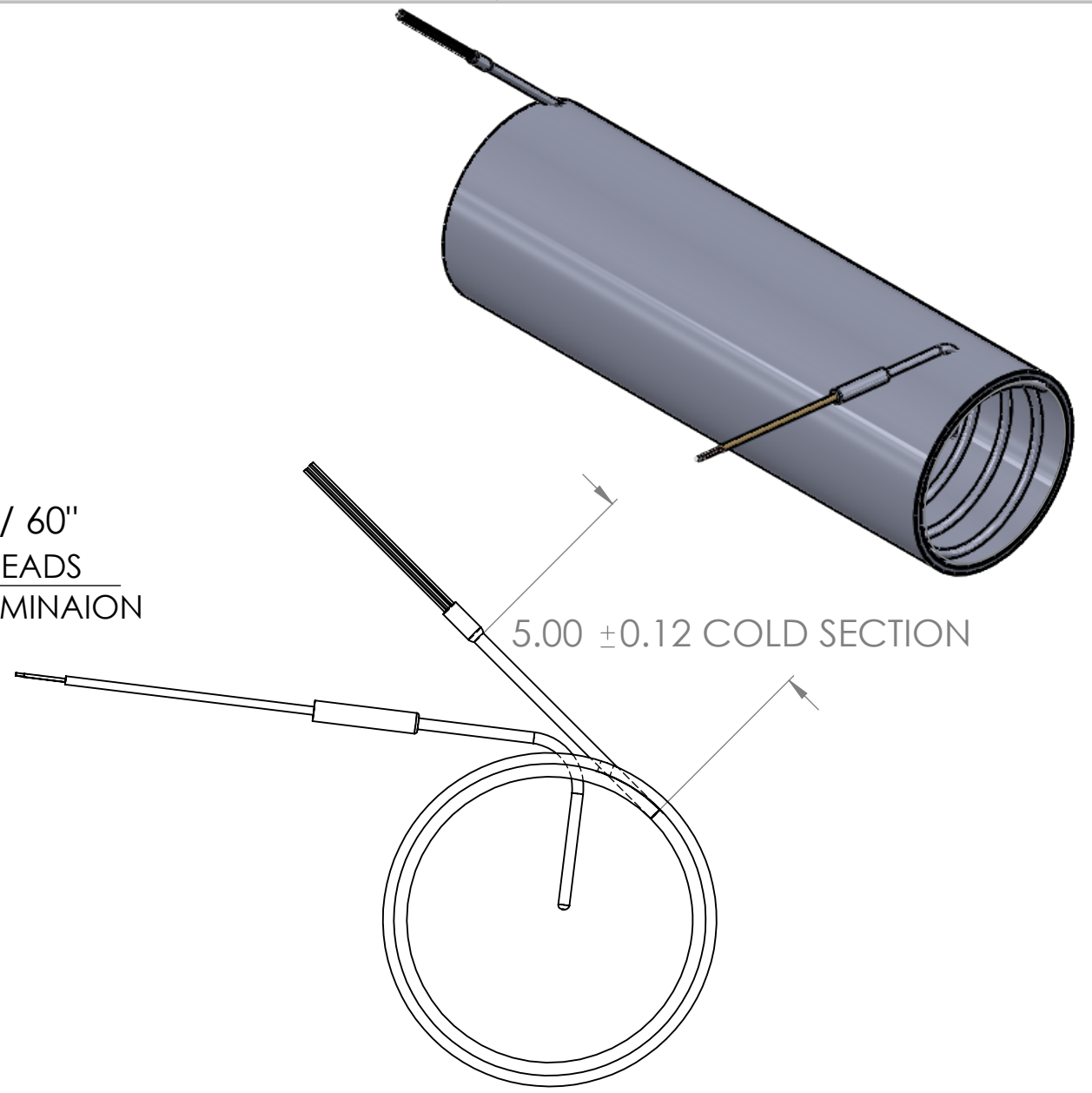
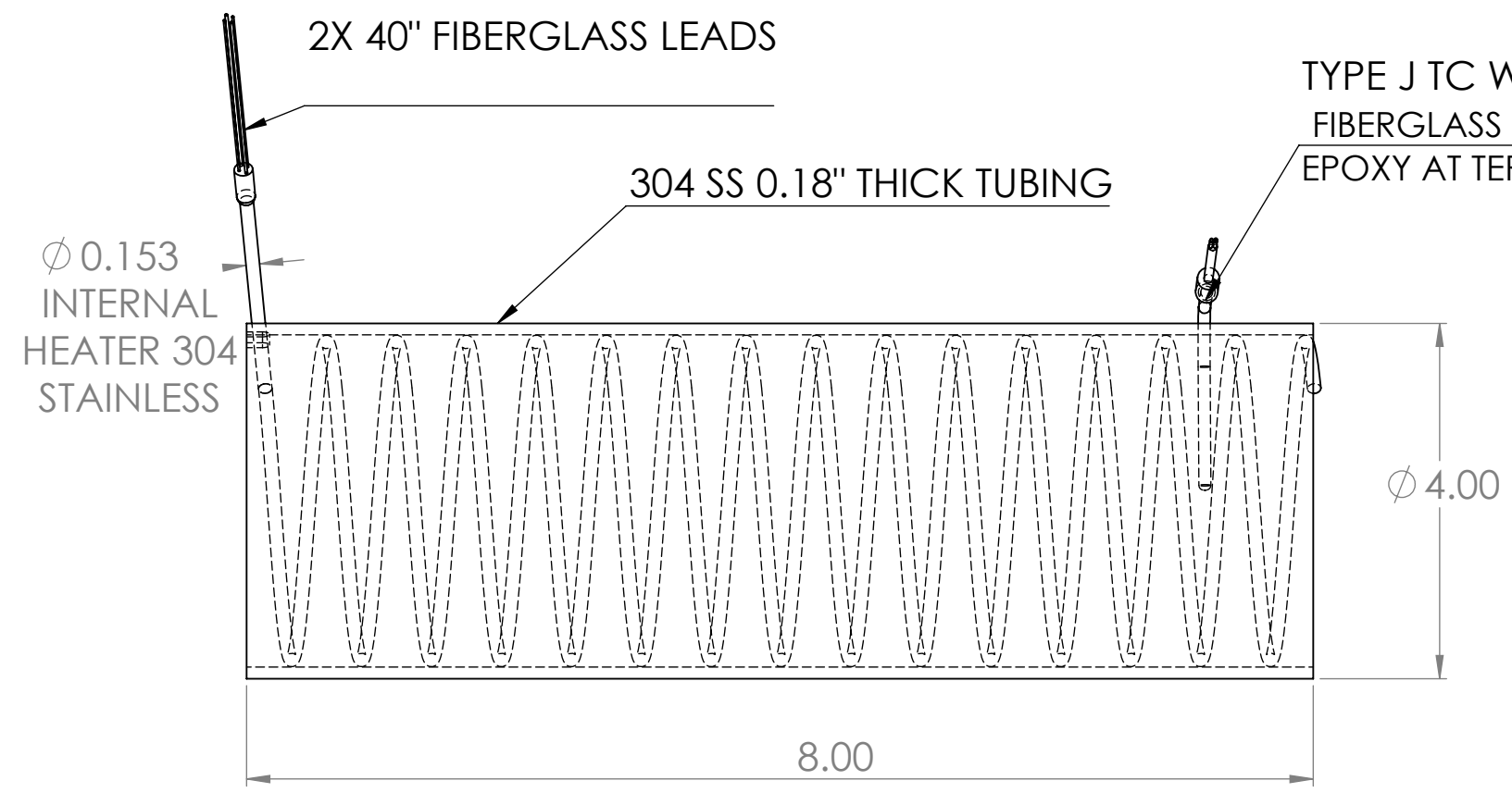
3

2

1

B

B



**NOTE:**

- 1. THIS DRAWING IS FOR REF. ONLY
- 2. HEATER SPECIFICATIONS: 1200 WATT ( $\pm 10\%$ ) 240 VOLT
- 3. INTERNAL STAR WIRING CONFIGURATION NOT SHOWN
- 4. NO NI-CHROME WIRE EXPOSURE - FOR CLEAN GAS ENVIRONMENT

UNLESS OTHERWISE SPECIFIED:  
 DIMENSIONS ARE IN INCHES  
 TOLERANCES:  
 FRACTIONAL  $\pm 1/32$   
 ANGULAR: MACH  $\pm 1.0$  BEND  $\pm 2.0$   
 TWO PLACE DECIMAL  $\pm 0.01$   
 THREE PLACE DECIMAL  $\pm 0.005$



TITLE:  
**MEGA CLEAN FLOW**  
**1200WATT 240VOLT**

**PROPRIETARY AND CONFIDENTIAL**  
 THE INFORMATION CONTAINED IN THIS DRAWING IS THE SOLE PROPERTY OF <INSERT COMPANY NAME HERE>. ANY REPRODUCTION IN PART OR AS A WHOLE WITHOUT THE WRITTEN PERMISSION OF <INSERT COMPANY NAME HERE> IS PROHIBITED.

INTERPRET GEOMETRIC TOLERANCING PER:  
 MATERIAL **304 SS**  
 FINISH **N/A**  
 DO NOT SCALE DRAWING

SIZE <b>B</b>	DWG. NO. <b>BCE10669</b>	REV <b>1</b>
SCALE: NTS		SHEET 1 OF 1

4

3

2

1

A

A