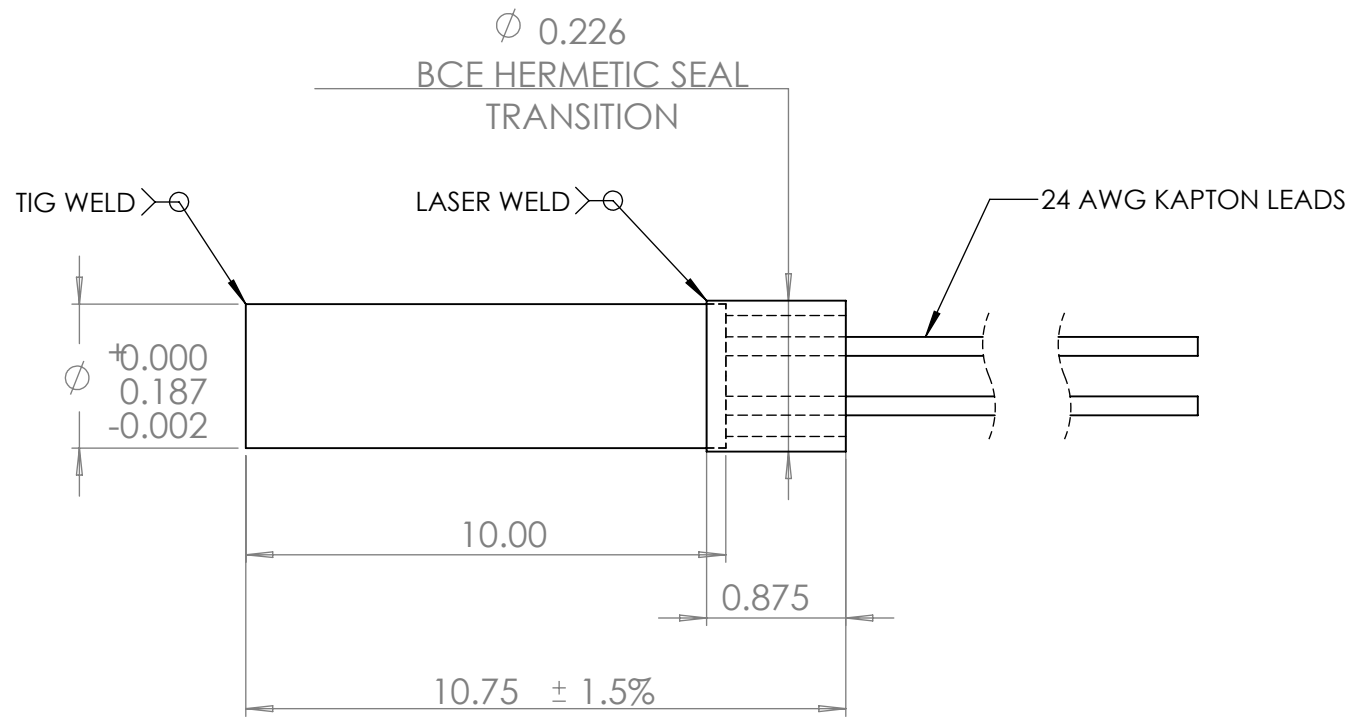


2 1

B

B



A

A

**NOTES**

1. 120VOLT, 220WATT 39WSI 80C MAX
2. 200 G MAX TEMP @ 10.00" SECTION
3. HERMETICALLY SEALED BCE BLACK EPOXY P/N: MHC2553
4. 300 SERIES STAINLESS STEEL

The information given herein is based on data believed to be accurate, but BCE makes no expressed or implied warranties as to its accuracy and assumes no liability arising out of its use by others. This information does not constitute a license to use or infringe on any patents

**PROPRIETARY AND CONFIDENTIAL**  
 THE INFORMATION CONTAINED IN THIS DRAWING IS THE SOLE PROPERTY OF BELLOVE CO. ENGINEERS. ANY REPRODUCTION IN PART OR AS A WHOLE WITHOUT THE WRITTEN PERMISSION OF BELLOVE CO. ENGINEERS IS PROHIBITED.

UNLESS OTHERWISE SPECIFIED:

DIMENSIONS ARE IN INCHES  
 TOLERANCES:  
 FRACTIONAL ±  
 ANGULAR: MACH ± BEND ±  
 TWO PLACE DECIMAL ± .010  
 THREE PLACE DECIMAL ± .005

INTERPRET GEOMETRIC TOLERANCING PER:

MATERIAL SEE DWG

FINISH N/A

DO NOT SCALE DRAWING



TITLE:

HEM SEALED HEATER

SIZE	DWG. NO.	REV
<b>A</b>	BCE11179	-
SCALE: NTS	WEIGHT: N/A	SHEET 1 OF 1

2

1