

4

3

2

1

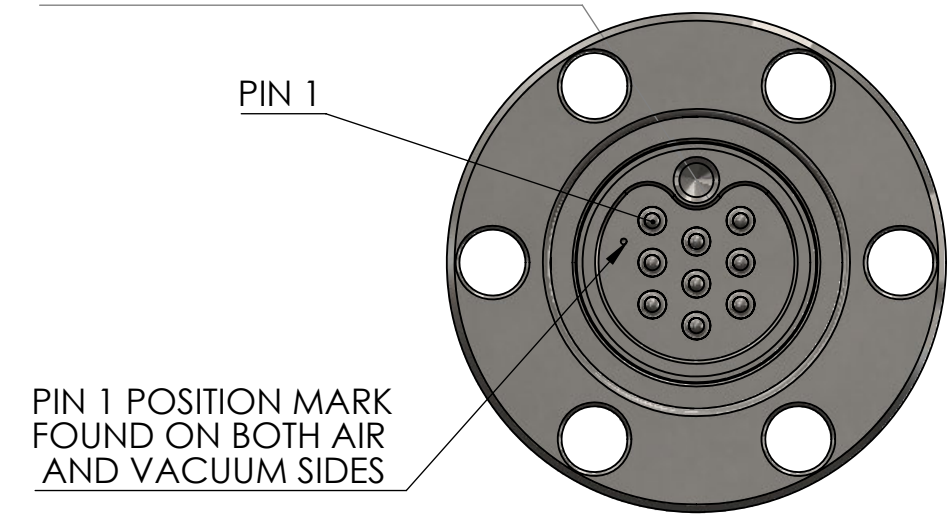
REVISIONS

ZONE	REV.	DESCRIPTION	DATE	APPROVED
	B	TEMPERATURE RATING, MAX AMPS	9/12/2017	D.S.



ISOMETRIC VIEW FOR REF. ONLY

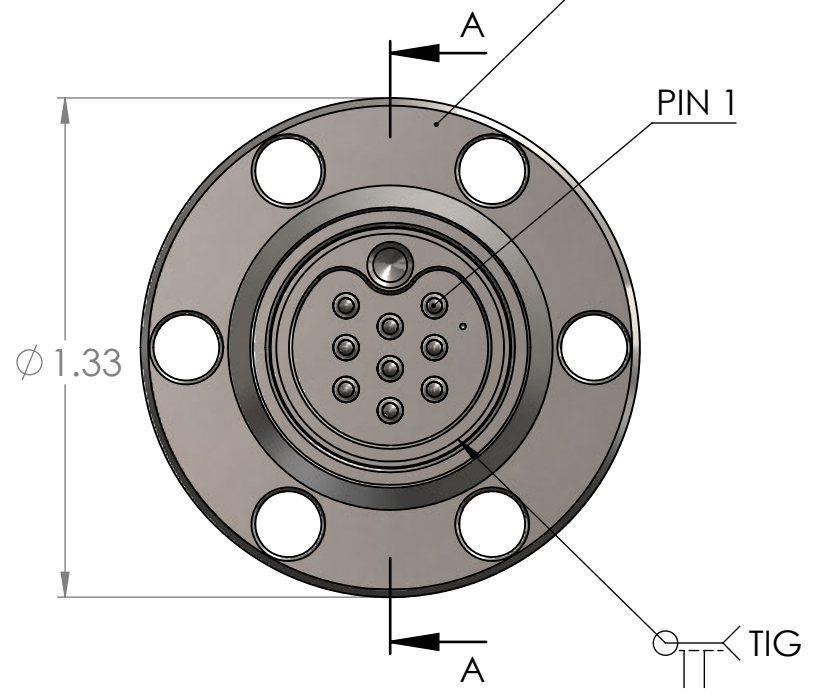
#4-40 CONNECTOR LOCK THREADS BOTH SIDES



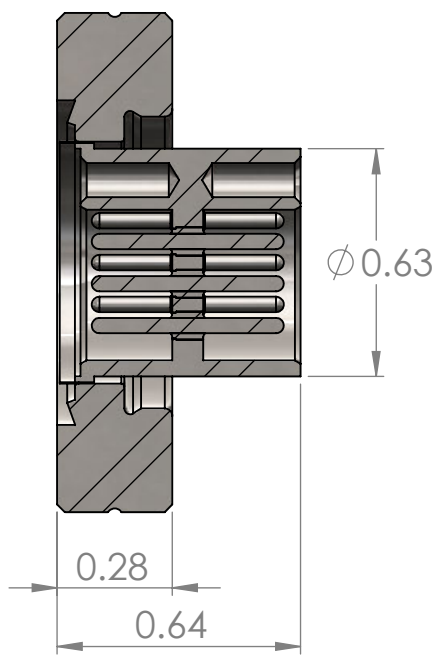
ATMOSPHERE SIDE

PIN 1 POSITION MARK FOUND ON BOTH AIR AND VACUUM SIDES

1- 1/3 MINI 304 SS FIXED CF FLANGE WITH CLEARANCE BOLT HOLES 6 X 0.172 ON Ø 1.062 BC



VACUUM SIDE



SECTION A-A

NOTES

- LEAK RATE: 5×10^{-10} CC/SEC He AT ONE ATM
- VOLTAGE: 500 VAC
- CURRENT: 5 AMPS PER PIN MAX @20 C
- TEMPERATURE RATING: -200°C TO 250°C $\triangle B$
- UHV VACUUM: $1 \times 10E-10$ TORR
- AIR TO VACUUM PIN POSITION IS MIRRORED
- MATERIALS: SS, GLASS-CERAMIC, NI-FE ALLOY, AU-PLT PINS
- GENDER: MALE/MALE
- ROHS COMPLIANT
- MATING UHV CONNECTORS AND CABLES AVAILABLE UPON REQUEST

UNLESS OTHERWISE SPECIFIED:
 DIMENSIONS ARE IN INCHES
 TOLERANCES:
 ANGULAR .5° BEND .010 MAX
 OUTSIDE R .005 MAX INSIDE R
 ONE PLACE DECIMAL ±.1
 TWO PLACE DECIMAL ±.01
 THREE PLACE DECIMAL ±.005
 INTERPRET GEOMETRIC TOLERANCING
 PER: IAW ASME Y14.5M-1994



TITLE:
9 PIN VACUUM FEEDTHRU

PROPRIETARY AND CONFIDENTIAL
 THE INFORMATION CONTAINED IN THIS DRAWING IS THE SOLE PROPERTY OF BCE INC. ANY REPRODUCTION IN PART OR AS A WHOLE WITHOUT THE WRITTEN PERMISSION OF BCE INC. IS PROHIBITED.

MATERIAL: SEE DWG
 FINISH: 63 Ra
 DO NOT SCALE DRAWING

SIZE	DWG. NO.	REV
B	BCE10068	B
SCALE: 2:1	WEIGHT: -	SHEET 1 OF 1

4

3

2

1

B

B

A

A