

4

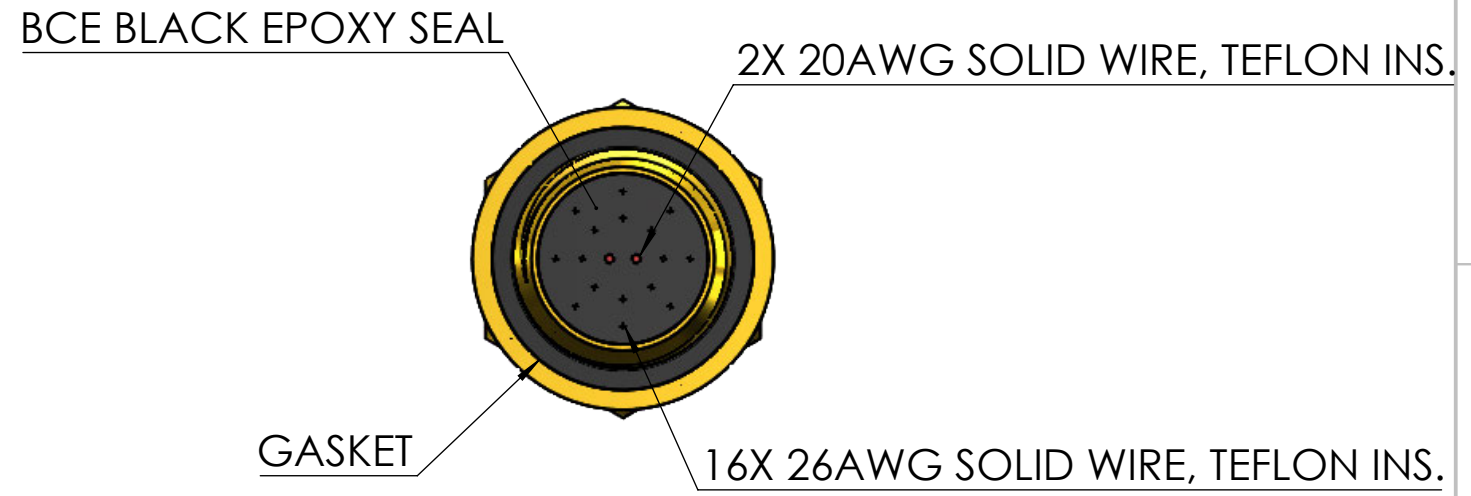
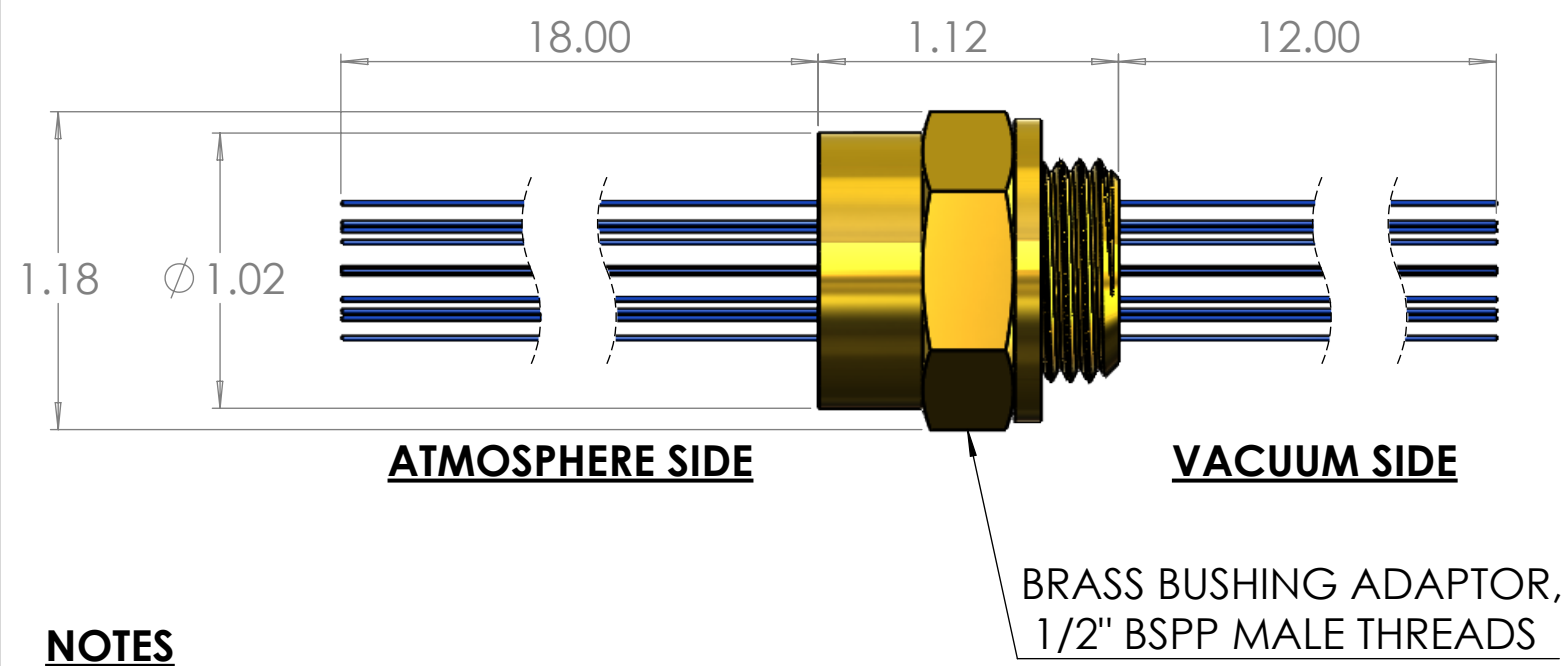
3

2

1

B

B



NOTES

1. THIS DRAWING IS FOR REF. ONLY
2. TEMPERATURE RANGE: APPLICATION SPECIFIC
3. HELIUM LEAK TEST: 10^{-7} atm-cc/s OR LESS
4. BCE BLACK EPOXY MEETS NASA ASTM E595 (LOW OUTGASSING SPEC.)
5. DESIGNED FOR METHANE SENSING SYTEMS. CAN BE USED FOR OTHER APPLICATIONS.
6. **ALL FEATURES AND MATERIALS CAN BE CUSTOMIZED**

A

UNLESS OTHERWISE SPECIFIED:		BCE	
DIMENSIONS ARE IN INCHES TOLERANCES: FRACTIONAL ±1/32 ANGULAR: MACH ± 1.0 BEND ±2.0 TWO PLACE DECIMAL ±0.01 THREE PLACE DECIMAL ±0.005			
TITLE:		18 WIRE VACUUM FEEDTHROUGH	
SIZE	DWG. NO.	REV	
B	BCE10259	1	
SCALE: NTS		SHEET 1 OF 1	

PROPRIETARY AND CONFIDENTIAL
THE INFORMATION CONTAINED IN THIS DRAWING IS THE SOLE PROPERTY OF BELILOVE COMPANY ENGINEERS (BCE). ANY REPRODUCTION IN PART OR AS A WHOLE WITHOUT THE WRITTEN PERMISSION OF BELILOVE COMPANY ENGINEERS (BCE) IS PROHIBITED.

INTERPRET GEOMETRIC TOLERANCING PER:
MATERIAL: SEE DWG
FINISH: N/A
DO NOT SCALE DRAWING

4

3

2

1

A

A